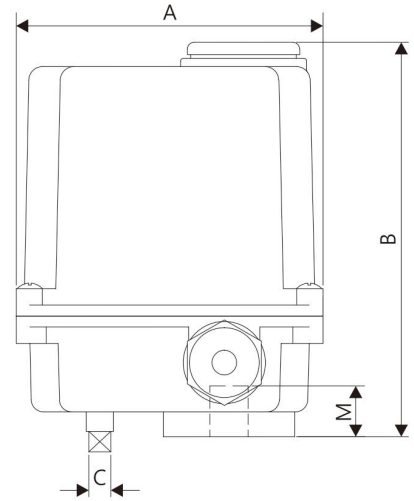
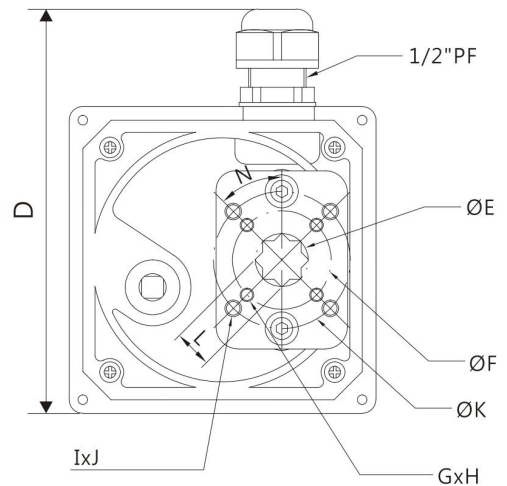
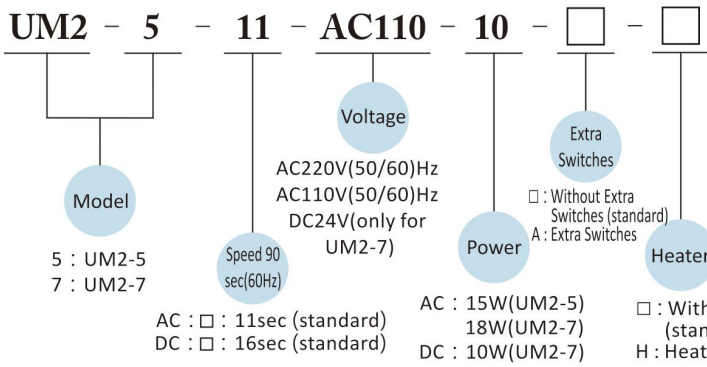


UM2-5~2-7



Product Specification



mm

Model	A	B	C	D	E	F	G	H	I	J	K	L Max	M	N	ISO 5211
UM2-5~7	118	145	8	140	19.3	36	M5	4	M6	4	50	14.03	19	45°	F03 / F05

● Optional: ISO5211 F04, F05/F07

inch

Model	A	B	C	D	E	F	G	H	I	J	K	L Max	M	N	ISO 5211
UM2-5~7	4.65	5.71	0.31	5.51	0.76	1.42	M5	4	M6	4	1.97	0.55	0.75	45°	F03 / F05

● Optional: ISO5211 F04, F05/F07