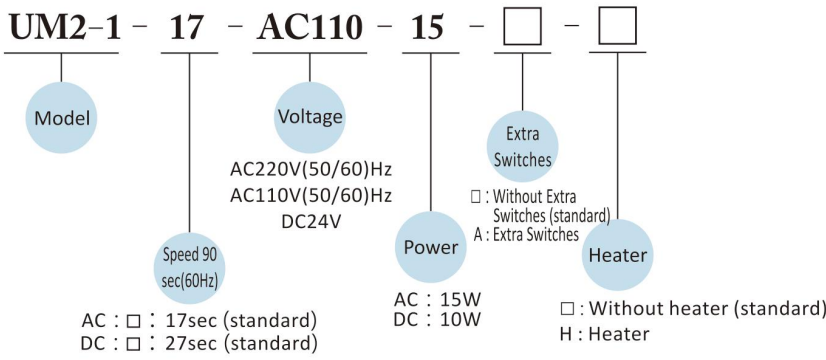
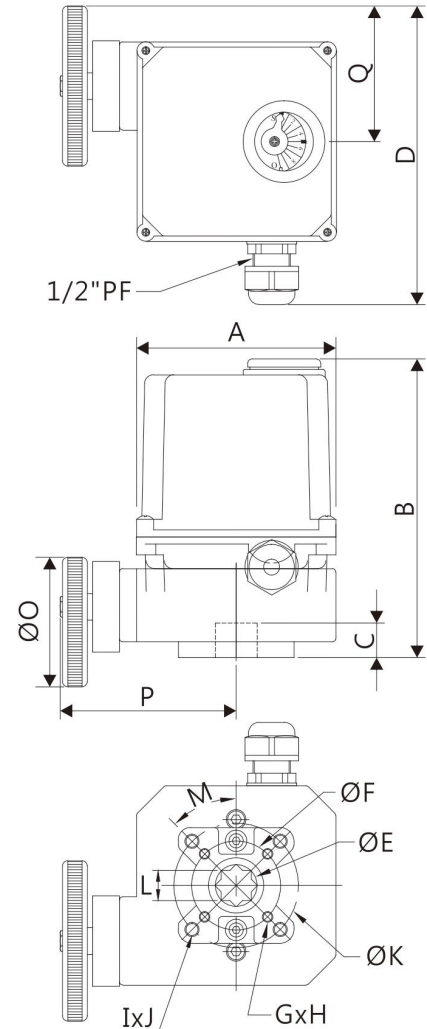


UM2-1

Product Specification



mm

Model	A	B	C	D	E	F	G	H	I	J	K	L _{Max}	M	O	P	Q	ISO 5211
UM2-1	117	185	19.2	148	23.5	50	M6	4	M8	4	70	17.03	45°	90	100	76	F05 / F07

inch

Model	A	B	C	D	E	F	G	H	I	J	K	L _{Max}	M	O	P	Q	ISO 5211
UM2-1	4.61	7.28	0.76	5.83	0.93	1.97	M6	4	M8	4	2.76	0.67	45°	3.54	3.94	2.99	F05 / F07