

Valves

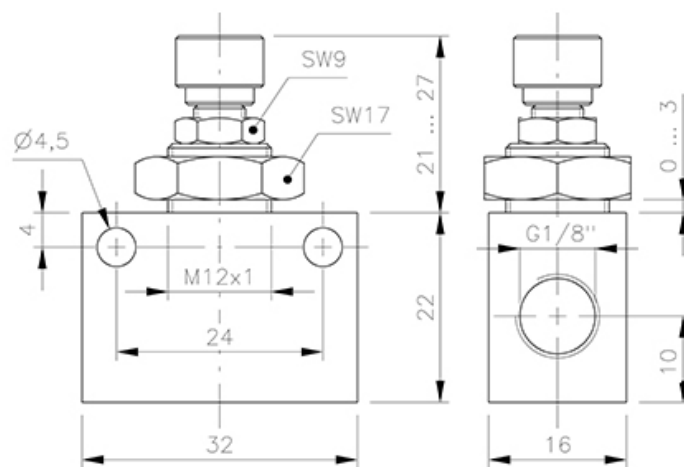
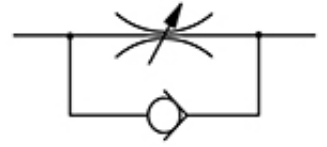
Pneumatically Actuated Valves

Block-form flow regulators

DR 501

Uni-directional flow regulator | precise regulation

HAFNER



Specifications

Port size	G 1/8"
Air flow	max. 450 l/min
Operating pressure	2...10 bar

