

# Valves

## Solenoid Valves

### 5/2-way valves

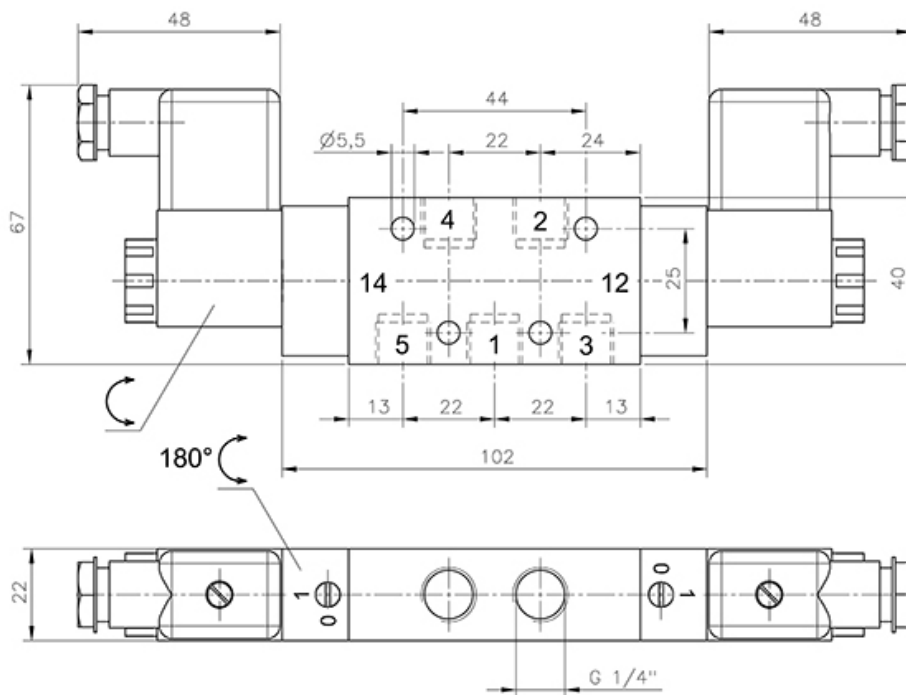
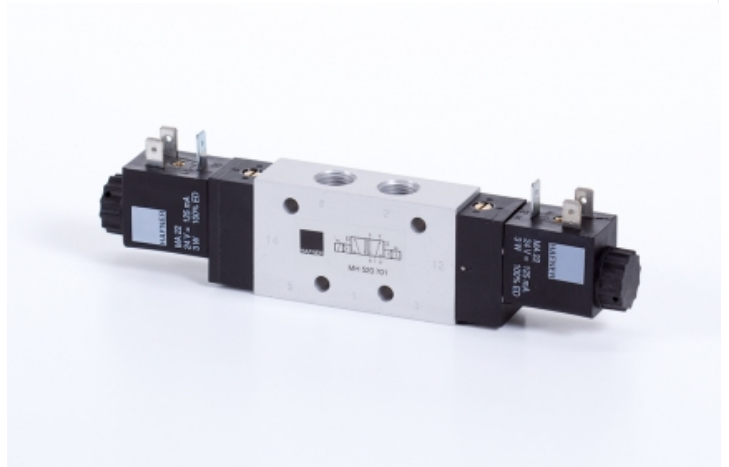
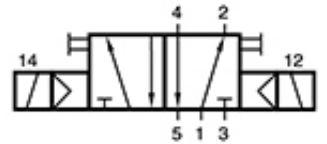
### In-line valves

### MH | in-line valves

### MH 520 701

Solenoid valve | bistable | with manual override

HAFNER



**Specifications**

Port size	G 1/4"
Air flow	1250 l/min
Operating pressure	2...10 bar
Funktion	Double solenoid
Power consumption	3 W / 5 VA

[www.hafner-pneumatika.com](http://www.hafner-pneumatika.com)