

# Valves

## Mechanically Actuated Valves

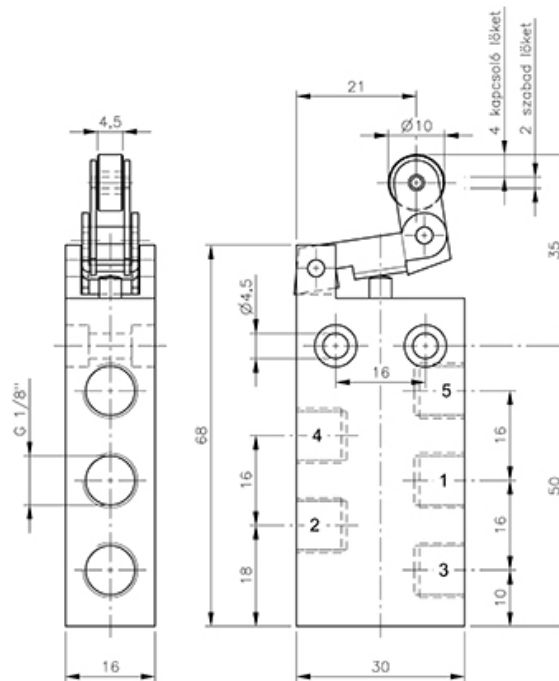
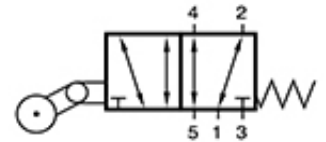
### 5/2-way valves

### Roller lever valves with idle return

### BL 511 301

Roller lever valve with idle return | monostable | mechanical spring return

HAFNER



**Specifications**

Port size	G 1/8"
Air flow	280 l/min
Operating pressure	-0,9...10 bar
Actuating force	10 N
Function	spring return
Port size / port position	ports on the side

[www.hafner-pneumatika.com](http://www.hafner-pneumatika.com)