

FRL-units

Futura line | FS

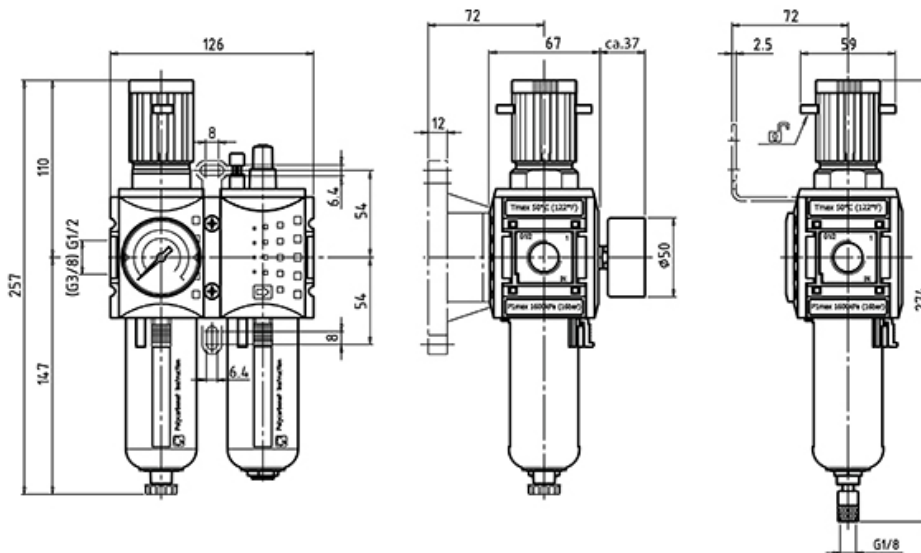
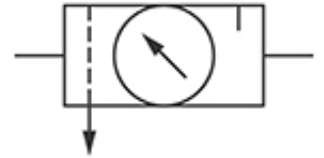
FRLs | 2 pieces

semiautomatic drain

KS2U-212/8 G HA

HAFNER

FRL-unit G1/4" - G1" | Filter-Regulator - Lubricator | semiautomatic drain | 8 bar - 5 micron | Futura line



Specifications

Connection	G 1/2"
Air-flow	3500 l/min
Operating pressure	1,5...16 bar
Operating pressure outlet	0,5...8 bar
Filter fineness	5 micron
Unit size	FS-2

www.hafner-pneumatika.com