

# AV-1 SANITARY BUTTERFLY VALVES



## APPLICATION

AV-1 series sanitary butterfly valve is widely used in process piping systems for isolation and control. Butterfly valves operate either manually or automatically.

## MATERIAL

Valve Disc: AISI 316L / AISI 304

Valve Body: AISI 316L / AISI 304

Valve seat and Gasket: VMQ (Silicone), comply with FDA 21CFR177.2600

### Options:

- The seats and gaskets can be EPDM, VMQ (Silicone) or Viton (FPM,) all complying with FDA 21CFR177.2600.
- End connections: Butt-welded, Sanitary Tri-Clamp, Threaded, Flanged, I-line or others upon request.
- Handles: 4-position pull handle, multi-position handle in either pure stainless steel or with plastic cover.
- Actuators: pneumatic stainless steel actuator (vertical type), pneumatic aluminum actuator (horizontal type), electric actuator.
- Control: Position sensor, C-TOP controller, C-TOP controller (AS-I), Solenoid Valve.

## DESIGN FEATURES

- Various standards can be provided: DIN, 3A, SMS, ISO/IDF, BS/RJT, and ASME/BPE.
- Available in sizes DN15/0.5" to DN300/ 12"
- Max. Working Pressure: 145psi (10 bar) for DN15/0.5"-DN100/4"; 116psi (8 bar) for DN125/5"-DN150/6"; 73psi (5 bar) for DN200/8"-DN300/12".
- Temperature range: 14° F to 248 ° F (-10°C to 120°C ) EPDM
- Supply pressure for air actuator: 70-116psi (5-8 bar).
- Multi-position handles can be used for valves up to DN200/8"  
Pull handles can be used for valves from DN15/0.5" to DN300/12"
- Manual handle, pneumatic actuator and electric actuator are interchangeable
- All seals comply with FDA 21CFR 177. 2600
- The valve body can be customized with a wide selection of different connections

## OPERATING TORQUE (N.M)

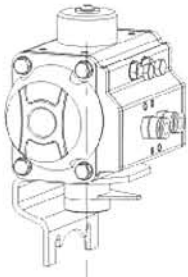
DN25-1"	DN40-1 1/2"	DN50-2"	DN65-2 1/2"	DN80-3"	DN100-4"	DN125-5"	DN150-6"
3	4	5	10	14	25	40	55

Tested under 10kgs/cm<sup>2</sup> pressure, Medium Water.

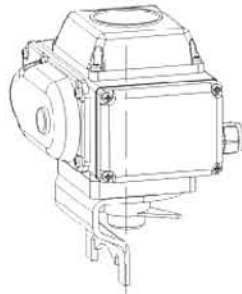
## TECHNICAL PARAMETER

<b>Steel Material</b>	Product wetted steel parts	AISI 304/ 316L Forged (1.4306 /1.4404)	Provided with material inspection report
	Other steel parts	AISI 304	
<b>Seal Material</b>	Standard	VMQ (Silicone)	All seal materials comply with FDA 21CFR117.2600
	Option	EPDM / Viton (FPM)	
<b>Pressure</b>	Working Pressure	Max.: ≤10bar (145 PSI)	
	Supply pressure for air actuator	Min.- Max.: 5~8bar (70-116 PSI)	
	Working temperature	14° F to 248 ° F (-10°C to 120°C )	
<b>Temperature</b>		Please contact us if higher configuration needed	
	Sterilization temperature	302 ° F ( 150°C, MAX 20 min)	
<b>Surface Treatment</b>	Inside surface treatment	Ra 16-32 μ in (0.4-0.8 μm)	
	Outside surface treatment	Ra 32 μ in (0.8 μm)	
	Standards: DIN 11850-2 with 11850-1 / SMS / 3A / ISO Series etc		
<b>Connection</b>	End connections: Butt-weld, Tri-clamp, Male and Female Threaded, Flange, I-line or others upon request		
<b>Actuator</b>	<ul style="list-style-type: none"> <li>• Vertical type with stainless steel 304 material</li> <li>• Horizontal type with aluminum material</li> <li>• Electric actuator</li> <li>• With or without position sensor and solenoid valve</li> </ul>		
	• Normally Closed (NC)--Air to open and spring to close; (Single-acting)		
	• Normally Open (NO)--Air to close and spring to open; (Single-acting)		
	• Air to Air (AA)--Air to open, air to close. (Double-acting)		

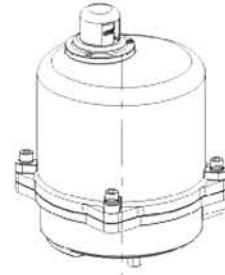
Aluminum actuator



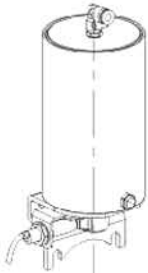
Electric actuator



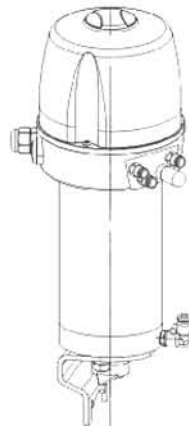
Electric actuator



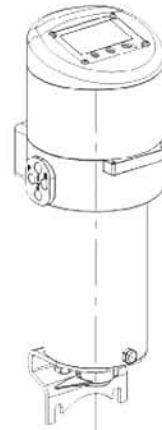
Stainless steel actuator+ position sensor



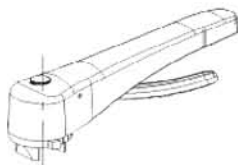
Stainless steel actuator+C-TOP



Stainless steel actuator+positioner



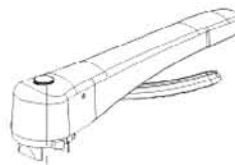
09 style plastic handle



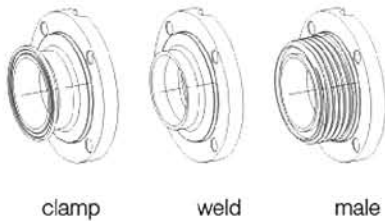
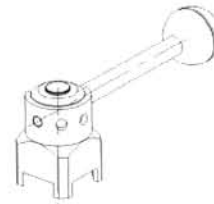
07 style plastic handle



11 style SS multi-position handle



Pull handle

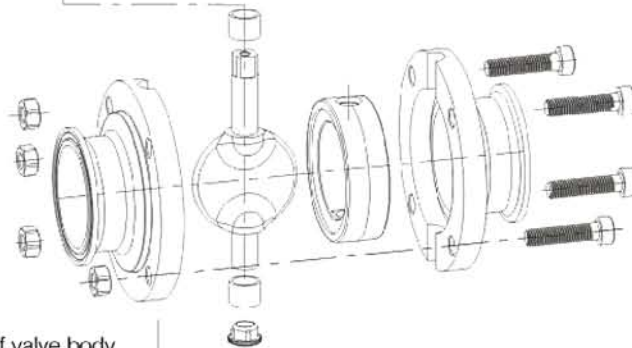


clamp

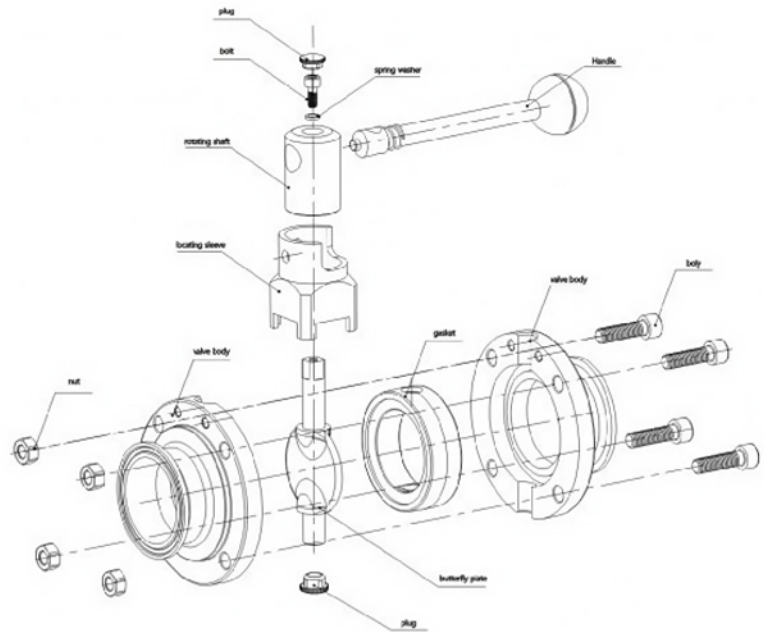
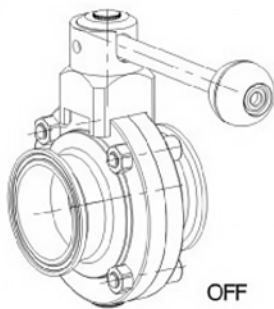
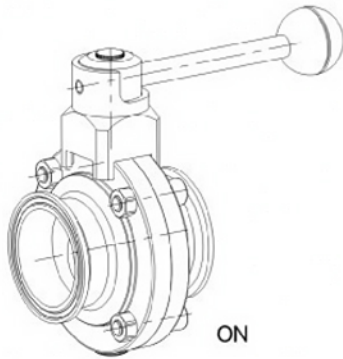
weld

male

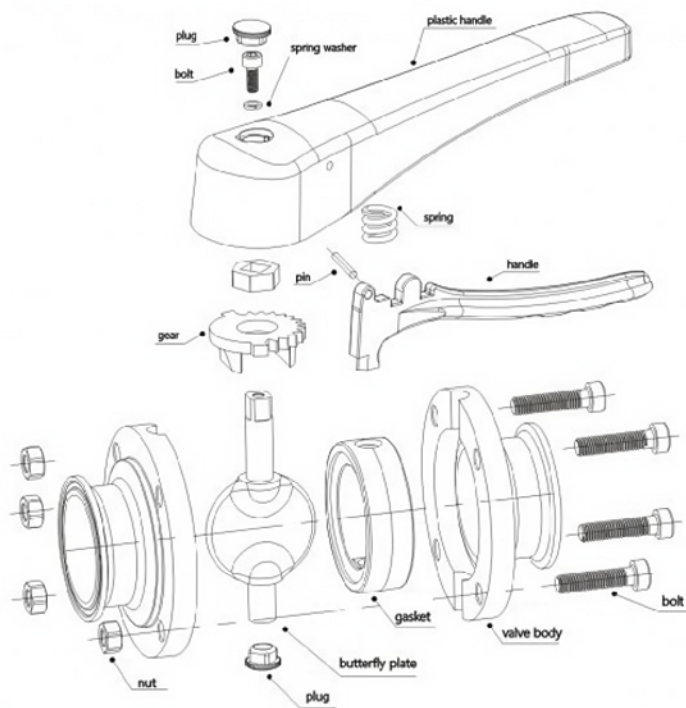
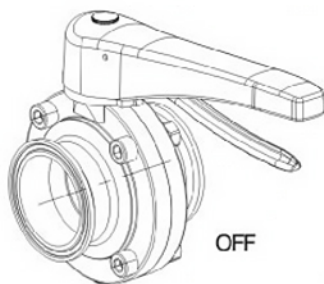
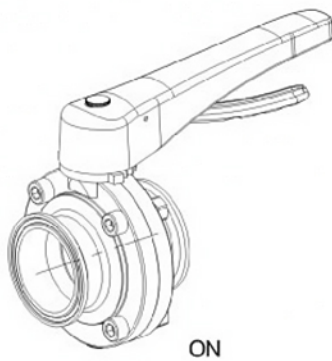
Alternative variety of valve body



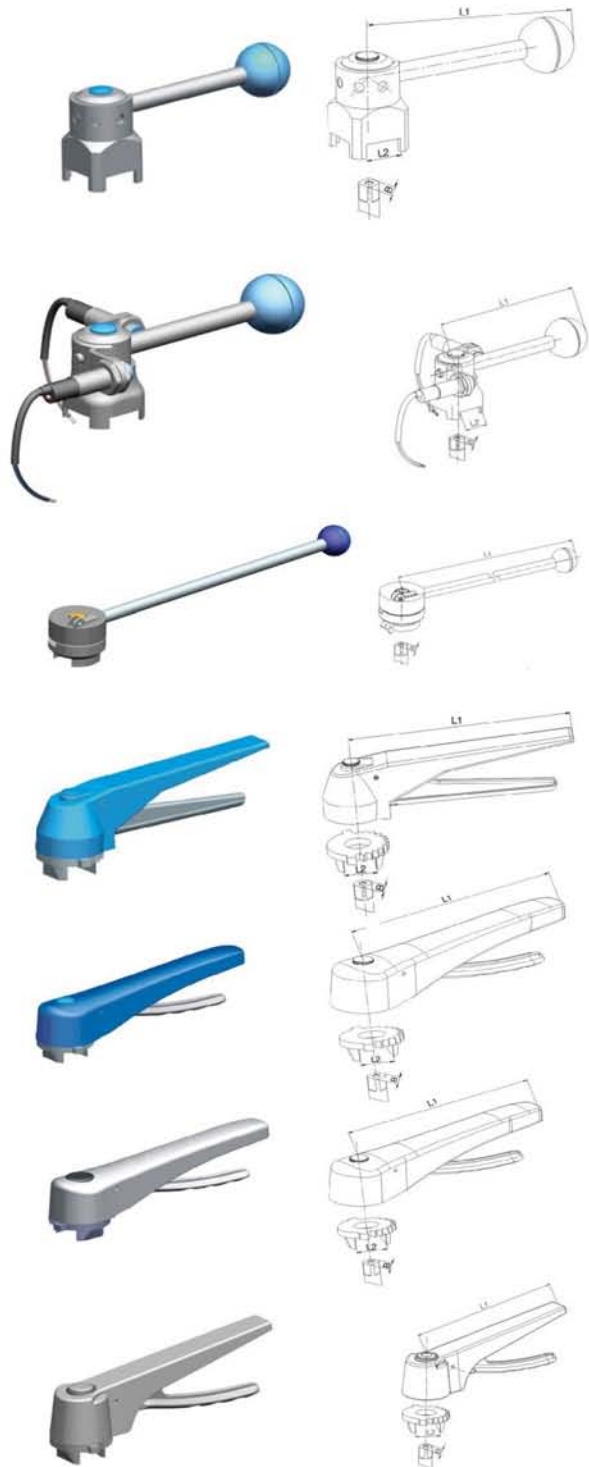
**Pull Handle Figure**



**Multi-position Handle Figure**



## Various Handles



### AVH001 4-Position Pull Handle

Size	L1		L2		B		
	Inch	mm	Inch	mm	Inch	mm	
DN15-DN40	0.5"-1.5"	4.961	126	0.795	20.2	0.315	8
DN50	2"	5.236	133	0.874	22.2	0.394	10
DN65	2.5"-3"	5.669	144	0.874	22.2	0.394	10
DN80-DN100	3.5"-4"	6.299	160	0.874	22.2	0.433	11
DN125-DN150	5"-6"	8.661	220	1.189	30.2	0.551	14
DN200-DN300	8"-12"	11.181	284	1.189	30.2	0.551	14

### AVH002 4-Position Pull Handle with Sensor

Size	L1		L2		B		
	Inch	mm	Inch	mm	Inch	mm	
DN15-DN40	0.5"-1.5"	4.961	126	0.795	20.2	0.315	8
DN50	2"	5.236	133	0.874	22.2	0.394	10
DN65	2.5"-3"	5.669	144	0.874	22.2	0.394	10
DN80-DN100	3.5"-4"	6.299	160	0.874	22.2	0.433	11
DN125-DN150	5"-6"	8.661	220	1.189	30.2	0.551	14
DN200-DN300	8"-12"	11.181	284	1.189	30.2	0.551	14

### AVH003 Multi-Position Handle

Size	L1		L2		B		
	Inch	mm	Inch	mm	Inch	mm	
DN125-DN150	5"-6"	10.118	257	1.189	30.2	0.551	14
DN200-DN300	8"-12"	15.630	397	1.189	30.2	0.551	14

### AVH004 Multi-position Handle 07 (Plastic Cover)

Size	L1		L2		B		
	Inch	mm	Inch	mm	Inch	mm	
DN15-DN40	0.5"-1.5"	5.906	150	0.795	20.2	0.315	8
DN50-DN65	2"-2.5"	5.906	150	0.874	22.2	0.394	10
DN80-DN100	3"-4"	5.906	150	0.874	22.2	0.433	11

### AVH005 Multi-position Handle 09 (Plastic Cover)

Size	L1		L2		B		
	Inch	mm	Inch	mm	Inch	mm	
DN15-DN40	0.5"-1.5"	6.457	164	0.795	20.2	0.315	8
DN50-DN65	2"-3"	6.457	164	0.874	22.2	0.394	10
DN80-DN100	3.5"-4"	6.457	164	0.874	22.2	0.433	11

### AVH006 Multi-position Handle 11 (Stainless Steel Cover)

Size	L1		L2		B		
	Inch	mm	Inch	mm	Inch	mm	
DN15-DN40	0.5"-1.5"	6.535	166	0.795	20.2	0.315	8
DN50-DN65	2"-3"	6.535	166	0.874	22.2	0.394	10
DN80-DN100	3.5"-4"	6.535	166	0.874	22.2	0.433	11
DN125-DN150	5"-6"	6.535	166	1.189	30.2	0.551	14

### AVH007 Multi-position Handle 13 (Lockable, SS Cover)

Size	L1		L2		B		
	Inch	mm	Inch	mm	Inch	mm	
DN15-DN40	0.5"-1.5"	6.102	155	0.795	20.2	0.315	8
DN50-DN65	2"-3"	6.102	155	0.874	22.2	0.394	10
DN80-DN100	3.5"-4"	6.102	155	0.874	22.2	0.433	11

### AVH008 Fine Turning Handwheel

Fine turning handwheel is a very flexible flow regulating device, valve position can be feedback by scale.

Sizes available: 1"-6", DN25-DN150

Material: 304

Applicable for sanitary butterfly valves.



## Butterfly valve



**Multi-position stainless steel handle butterfly valve**

SIZE:  
1"-6", DN25-DN150



**Pull handle butterfly valve**

SIZE:  
1"-12", DN25-DN300



**Multi-position plastic handle butterfly valve**

SIZE:  
1"-4", DN25-DN100



**Three-way butterfly valve**

SIZE:  
1"-4", DN25-DN100



**Multi-position stainless steel handle+ lock**

SIZE: 1"-4"



**Manual butterfly valve +position sensor**

SIZE:  
1"-6", DN25-DN150



**Pneumatic butterfly valve (basic type)**  
 Size: 1"-12", DN25-DN300



**Pneumatic butterfly valve + Positioner**  
 Analog signal  
 Input: 0/4-20mA, 0-5/10V  
 Output: 0/4-20mA, 0-5/10V  
 DEVICE NET BUS  
 Power supply: DC 24V



**Pneumatic butterfly valve + position sensor**  
 Sensor: PNP NPN



**Pneumatic butterfly valve + C-TOP**  
 Terminal connection  
 AS - I BUS DEVICE NET  
 Power supply: DC 24V



**Electric butterfly valve**  
 AC 220/110V DC 24V  
 Functions: on/off, intelligent, position sensor

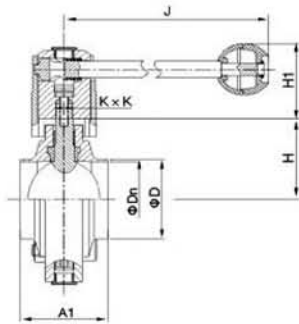


**Pneumatic butterfly valve + MINIC-TOP**  
 SIZE: 1"-2"

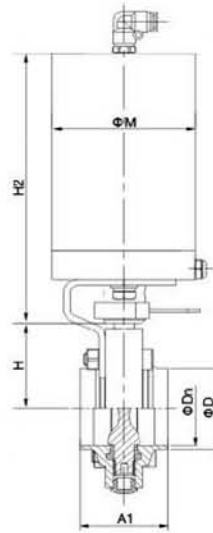
Pneumatic 3PC butterfly valve + sensor

SANITARY BUTTERFLY VALVE

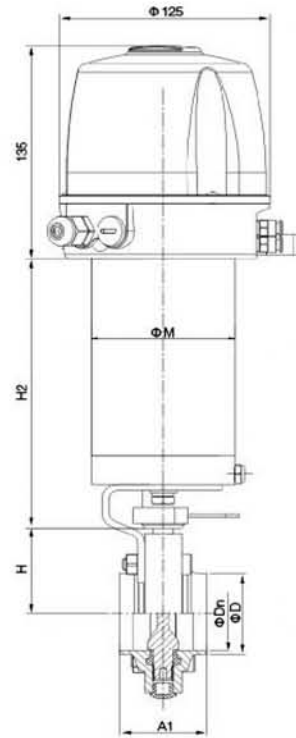
SANITARY BUTTERFLY VALVES WITH BUTT-WELD ENDS



Manual Butterfly Valve



SS Pneumatic Butterfly Valve



Pneumatic Butterfly Valve+C-TOP

DIN

Size	Dn		D		J		H		H1		H2		M		A1	
	Inch	mm	Inch	mm	Inch	mm	Inch	mm	Inch	mm	Inch	mm	Inch	mm	Inch	mm
DN10	0.354	9	0.472	12	4.961	126	1.575	40	1.713	43.5	6.791	172.5	3.386	86	1.969	50
DN15	0.591	15	0.709	18	4.961	126	1.575	40	1.713	43.5	6.791	172.5	3.386	86	1.969	50
DN20	0.748	19	0.866	22	4.961	126	1.575	40	1.713	43.5	6.791	172.5	3.386	86	1.969	50
DN25	0.984	25	1.102	28	4.961	126	1.575	40	1.713	43.5	6.791	172.5	3.386	86	1.969	50
DN32	1.220	31	1.339	34	4.961	126	1.752	44.5	1.713	43.5	6.791	172.5	3.386	86	1.969	50
DN40	1.457	37	1.575	40	4.961	126	1.831	46.5	1.713	43.5	6.791	172.5	3.386	86	1.969	50
DN50	1.929	49	2.047	52	5.236	133	2.146	54.5	1.870	47.5	6.791	172.5	3.386	86	2.047	52
DN65	2.598	66	2.756	70	5.669	144	2.520	64	1.870	47.5	6.791	172.5	3.386	86	2.205	56
DN80	3.189	81	3.346	85	6.299	160	2.776	70.5	1.870	47.5	6.791	172.5	3.386	86	2.362	60
DN100	3.937	100	4.094	104	6.299	160	3.189	81	1.969	50	6.791	172.5	3.386	86	2.520	64
DN125	4.921	125	5.079	129	8.661	220	3.720	94.5	2.067	52.5	9.764	248	4.449	113	3.150	80
DN150	5.906	150	6.063	154	8.661	220	4.331	110	2.067	52.5	11.220	285	5.236	133	3.543	90
DN200	7.874	200	8.031	204	11.181	284	5.709	145	2.067	52.5	11.575	294	6.535	166	3.543	90
DN250	9.843	250	10.000	254	11.181	284	6.850	174	2.067	52.5	11.575	294	6.535	166	3.543	90
DN300	11.811	300	11.969	304	11.181	284	6.850	174	2.067	52.5	11.575	294	6.535	166	3.543	90

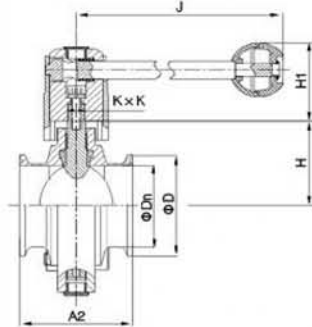
INCH

Size	Dn		D		J		H		H1		H2		M		A1	
	Inch	mm	Inch	mm	Inch	mm	Inch	mm	Inch	mm	Inch	mm	Inch	mm	Inch	mm
1/2"	0.382	9.7	0.500	12.7	4.961	126	1.575	40	1.713	43.5	6.791	172.5	3.386	86	1.969	50
3/4"	0.634	16.1	0.752	19.1	4.961	126	1.575	40	1.713	43.5	6.791	172.5	3.386	86	1.969	50
1"	0.882	22.4	1.000	25.4	4.961	126	1.575	40	1.713	43.5	6.791	172.5	3.386	86	1.969	50
1 1/4"	1.134	28.8	1.252	31.8	4.961	126	1.575	40	1.713	43.5	6.791	172.5	3.386	86	1.969	50
1 1/2"	1.382	35.1	1.500	38.1	4.961	126	1.752	44.5	1.713	43.5	6.791	172.5	3.386	86	1.969	50
2"	1.882	47.8	2.000	50.8	5.236	133	2.067	52.5	1.870	47.5	6.791	172.5	3.386	86	2.047	52
2 1/2"	2.343	59.5	2.500	63.5	5.669	144	2.323	59	1.870	47.5	6.791	172.5	3.386	86	2.205	56
3"	2.843	72.2	3.000	76.2	5.669	144	2.579	65.5	1.870	47.5	6.791	172.5	3.386	86	2.205	56
3 1/2"	3.346	85	3.504	89.0	5.669	144	2.835	72	1.969	50	6.791	172.5	3.386	86	2.362	60
4"	3.843	97.6	4.000	101.6	5.669	144	3.110	79	1.969	50	6.791	172.5	3.386	86	2.520	64
4 1/4"	4.094	104	4.252	108.0	6.299	160	3.248	82.5	1.969	50	6.791	172.5	3.386	86	2.520	64
4 1/2"	4.343	110.3	4.500	114.3	6.299	160	3.248	82.5	2.067	52.5	9.764	248	4.449	113	2.520	64
5"	4.835	122.8	5.000	127.0	8.661	220	3.720	94.5	2.067	52.5	9.764	248	4.449	113	3.150	80
6"	5.780	146.8	6.000	152.4	8.661	220	4.331	110	2.067	52.5	11.220	285	5.236	133	3.543	90
6 1/4"	6.024	153	6.260	159.0	8.661	220	4.331	110	2.067	52.5	11.220	285	5.236	133	3.543	90
8"	7.780	197.6	8.000	203.2	11.181	284	5.709	145	2.067	52.5	11.575	294	6.535	166	3.543	90
8 1/2"	8.307	211	8.622	219.0	11.181	284	5.709	145	2.067	52.5	11.575	294	6.535	166	3.543	90
10"	9.732	247.2	10.000	254.0	11.181	284	6.850	174	2.067	52.5	11.575	294	6.535	166	3.543	90

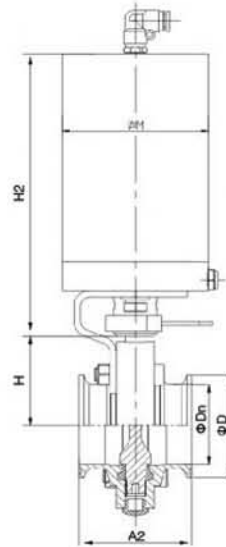
NOTE: In keeping with our policy of continuing improvement, we reserve the right to institute changes in design, material, dimensions, or specifications without notice and without incurring any obligation to make such changes and modifications on product previously or subsequently sold.



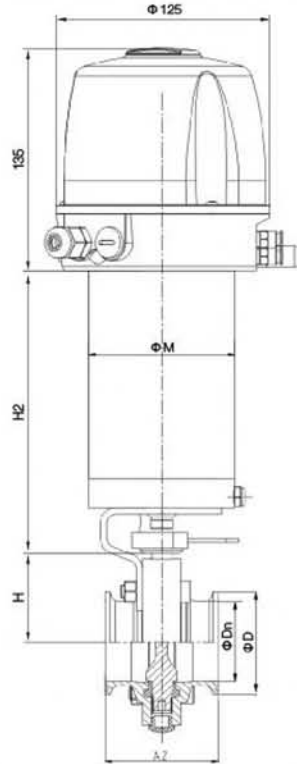
SANITARY BUTTERFLY VALVES WITH TRI-CLAMP ENDS



Manual Butterfly Valve



SS Pneumatic Butterfly Valve



Pneumatic Butterfly Valve+C-TOP

DIN

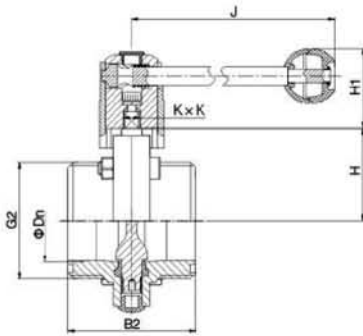
Size	Dn		D		J		H		H1		H2		M		A2	
	Inch	mm	Inch	mm	Inch	mm	Inch	mm	Inch	mm	Inch	mm	Inch	mm	Inch	mm
DN10	0.354	9	1.339	34	4.961	126	1.575	40	1.713	43.5	6.791	172.5	3.386	86	2.598	66
DN15	0.591	15	1.339	34	4.961	126	1.575	40	1.713	43.5	6.791	172.5	3.386	86	2.598	66
DN20	0.748	19	1.339	34	4.961	126	1.575	40	1.713	43.5	6.791	172.5	3.386	86	2.598	66
DN25	0.984	25	1.988	50.5	4.961	126	1.575	40	1.713	43.5	6.791	172.5	3.386	86	2.598	66
DN32	1.220	31	1.988	50.5	4.961	126	1.752	44.5	1.713	43.5	6.791	172.5	3.386	86	2.598	66
DN40	1.457	37	1.988	50.5	4.961	126	1.831	46.5	1.713	43.5	6.791	172.5	3.386	86	2.756	70
DN50	1.929	49	2.520	64	5.236	133	2.146	54.5	1.870	47.5	6.791	172.5	3.386	86	2.992	76
DN65	2.598	66	3.583	91	5.669	144	2.520	64	1.870	47.5	6.791	172.5	3.386	86	3.150	80
DN80	3.189	81	4.173	106	6.299	160	2.776	70.5	1.870	47.5	6.791	172.5	3.386	86	3.307	84
DN100	3.937	100	4.685	119	6.299	160	3.189	81	1.969	50	6.791	172.5	3.386	86	4.094	104
DN125	4.921	125	5.689	144.5	8.661	220	3.720	94.5	2.067	52.5	9.764	248	4.449	113	4.803	122
DN150	5.906	150	6.575	167	8.661	220	4.331	110	2.067	52.5	11.220	285	5.236	133	5.748	146
DN200	7.874	200	9.193	233.5	11.181	284	5.709	145	2.067	52.5	11.575	294	6.535	166	6.535	166
DN250	9.843	250	10.571	268.5	11.181	284	6.850	174	2.067	52.5	11.575	294	6.535	166	6.575	167
DN300	11.811	300	12.559	319	11.181	284	6.850	174	2.067	52.5	11.575	294	6.535	166	5.748	146

INCH

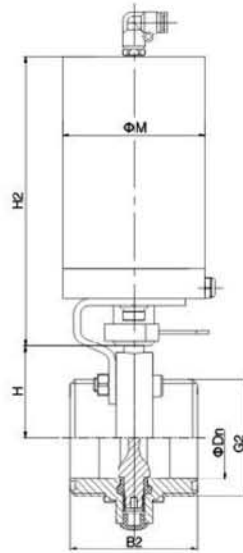
Size	Dn		D		J		H		H1		H2		M		A2	
	Inch	mm	Inch	mm	Inch	mm	Inch	mm	Inch	mm	Inch	mm	Inch	mm	Inch	mm
1/2"	0.500	13	1.000	25.4	4.961	126	1.575	40	1.713	43.5	6.791	172.5	3.386	86	2.598	66
3/4"	0.752	19	1.000	25.4	4.961	126	1.575	40	1.713	43.5	6.791	172.5	3.386	86	2.598	66
1"	1.000	25	1.988	50.5	4.961	126	1.575	40	1.713	43.5	6.791	172.5	3.386	86	2.598	66
1 1/4"	1.252	32	1.988	50.5	4.961	126	1.575	40	1.713	43.5	6.791	172.5	3.386	86	2.598	66
1 1/2"	1.500	38	1.988	50.5	4.961	126	1.752	44.5	1.713	43.5	6.791	172.5	3.386	86	2.756	70
2"	2.000	51	2.520	64	5.236	133	2.067	52.5	1.870	47.5	6.791	172.5	3.386	86	2.992	76
2 1/2"	2.500	64	3.051	77.5	5.669	144	2.323	59	1.870	47.5	6.791	172.5	3.386	86	3.150	80
3"	3.000	76	3.583	91	5.669	144	2.579	65.5	1.870	47.5	6.791	172.5	3.386	86	3.307	84
3 1/2"	3.504	89	4.173	106	5.669	144	2.835	72	1.969	50	6.791	172.5	3.386	86	3.386	86
4"	4.000	102	4.685	119	5.669	144	3.110	79	1.969	50	6.791	172.5	3.386	86	4.094	104
5"	5.000	127	5.689	144.5	8.661	220	3.720	94.5	2.067	52.5	9.764	248	4.449	113	4.803	122
6"	6.000	152	6.575	167	8.661	220	4.331	110	2.067	52.5	11.220	285	5.236	133	5.748	146
8"	8.000	203	8.559	217.4	11.181	284	5.709	145	2.067	52.5	11.575	294	6.535	166	6.535	166
10"	10.000	254	10.571	268.5	11.181	284	6.850	174	2.067	52.5	11.575	294	6.535	166	6.575	167

NOTE: In keeping with our policy of continuing improvement, we reserve the right to institute changes in design, material, dimensions, or specifications without notice and without incurring any obligation to make such changes and modifications on product previously or subsequently sold.

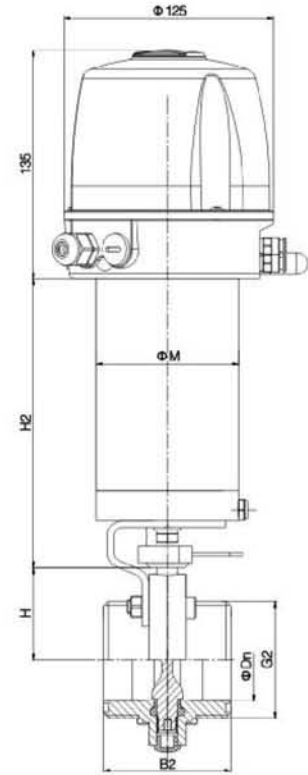
SANITARY BUTTERFLY VALVES WITH THREAD ENDS



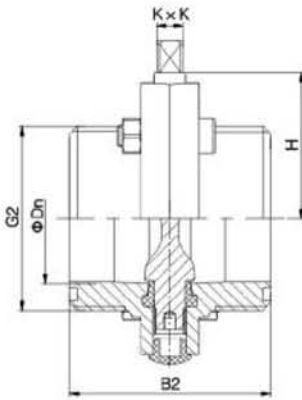
Manual Butterfly Valve



SS Pneumatic Butterfly Valve



Pneumatic Butterfly Valve+C-TOP

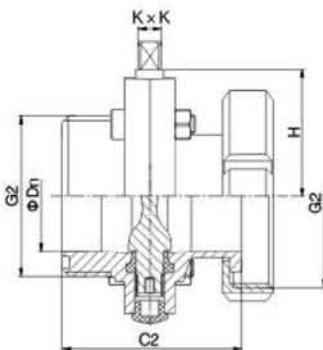


Male/Male(SMS)

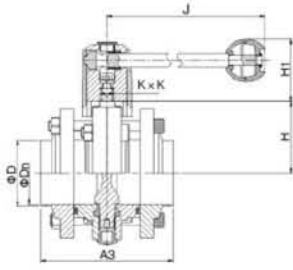
SMS

Size	Dn		KxK	H		H1		H2		B2		C2		G2
	Inch	mm		Inch	mm	Inch	mm	Inch	mm	Inch	mm	Inch	mm	
3/4"	0.630	16	8x8	1.575	40	1.713	43.5	6.791	172.5	2.598	66	2.756	70	Rd36x1/8
1"	0.882	22.4	8x8	1.575	40	1.713	43.5	6.791	172.5	2.598	66	2.874	73	Rd40x1/6
1¼"	1.134	28.8	8x8	1.575	40	1.713	43.5	6.791	172.5	2.598	66	3.071	78	Rd48x1/6
1½"	1.382	35.1	8x8	1.752	44.5	1.713	43.5	6.791	172.5	2.756	70	3.150	80	Rd60x1/6
2"	1.882	47.8	10x10	2.067	52.5	1.870	47.5	6.791	172.5	2.992	76	3.307	84	Rd70x1/6
2½"	2.343	59.5	10x10	2.323	59	1.870	47.5	6.791	172.5	3.150	80	3.504	89	Rd85x1/6
3"	2.843	72.2	10x10	2.579	65.5	1.870	47.5	6.791	172.5	3.307	84	3.583	91	Rd98x1/6
3½"	3.346	85	11x11	2.835	72	1.969	50	6.791	172.5	3.386	86	3.701	94	Rd105x1/6
4"	3.843	97.6	11x11	3.110	79	1.969	50	6.791	172.5	4.094	104	4.134	105	Rd125x1/4

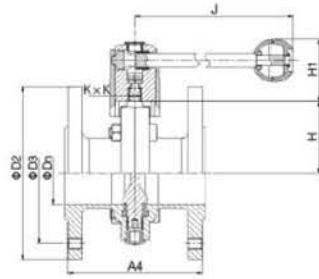
NOTE: In keeping with our policy of continuing improvement, we reserve the right to institute changes in design, material, dimensions, or specifications without notice and without incurring any obligation to make such changes and modifications on product previously or subsequently sold.



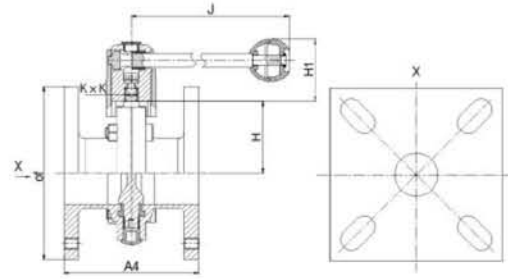
Male/Nut(SMS)



Three-piece Butterfly Valve



Flange Butterfly Valve (Round Type)



Flange Butterfly Valve (Square Type)

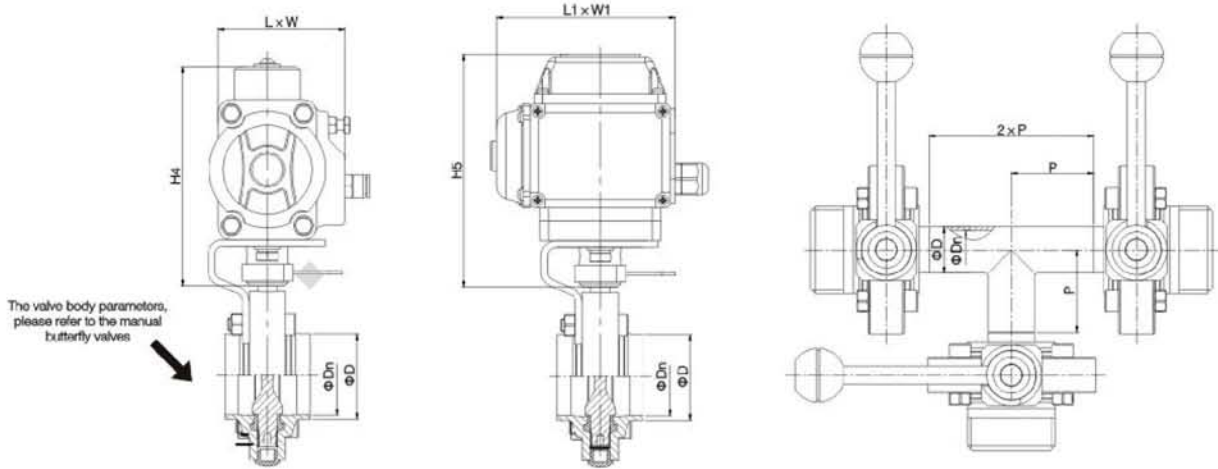
## DIN

Size	Dn		D		D2		D3		KxK	J		H		H1		A3		A4		of mm
	Inch	mm	Inch	mm	Inch	mm	Inch	mm		Inch	mm	Inch	mm	Inch	mm	Inch	mm	Inch	mm	
DN10	0.354	9	0.472	12	-	-	-	-	8x8	4.961	126	1.575	40	1.713	43.5	3.937	100	-	-	-
DN15	0.591	15	0.709	18	3.740	95	2.559	65	8x8	4.961	126	1.575	40	1.713	43.5	3.937	100	4.331	110	100x100
DN20	0.748	19	0.866	22	4.134	105	2.953	75	8x8	4.961	126	1.575	40	1.713	43.5	3.937	100	4.331	110	100x100
DN25	0.984	25	1.102	28	4.528	115	3.346	85	8x8	4.961	126	1.575	40	1.713	43.5	3.937	100	4.331	110	100x100
DN32	1.220	31	1.339	34	5.315	135	3.937	100	8x8	4.961	126	1.752	44.5	1.713	43.5	3.937	100	4.567	116	100x100
DN40	1.457	37	1.575	40	5.709	145	4.331	110	8x8	4.961	126	1.831	46.5	1.713	43.5	3.937	100	4.646	118	100x100
DN50	1.929	49	2.047	52	6.299	160	4.921	125	10x10	5.236	133	2.146	54.5	1.870	47.5	4.094	104	4.724	120	100x100
DN65	2.598	66	2.756	70	7.087	180	5.709	145	10x10	5.669	144	2.520	64	1.870	47.5	4.409	112	4.882	124	120x120
DN80	3.189	81	3.346	85	7.677	195	6.299	160	11x11	6.299	160	2.776	70.5	1.870	47.5	4.724	120	5.118	130	140x140
DN100	3.937	100	4.094	104	8.465	215	7.087	180	11x11	6.299	160	3.189	81	1.969	50	5.039	128	5.984	152	140x140
DN125	4.921	125	5.079	129	9.646	245	8.268	210	14x14	8.661	220	3.720	94.5	2.067	52.5	6.299	160	7.008	178	-
DN150	5.906	150	6.063	154	11.024	280	9.449	240	14x14	8.661	220	4.331	110	2.067	52.5	7.087	180	7.795	198	-
DN200	7.874	200	8.031	204	13.189	335	11.614	295	14x14	11.181	284	5.709	145	2.067	52.5	7.087	180	10.630	270	-

## INCH

Size	Dn		D		D2		D3		KxK	J		H		H1		A3		A4		of mm
	Inch	mm	Inch	mm	Inch	mm	Inch	mm		Inch	mm	Inch	mm	Inch	mm	Inch	mm	Inch	mm	
1/2"	0.382	9.7	0.500	13	-	-	-	-	8x8	4.961	126	1.575	40	1.713	43.5	3.937	100	-	-	-
3/4"	0.634	16	0.752	19	3.740	95	2.559	65	8x8	4.961	126	1.575	40	1.713	43.5	3.937	100	-	-	100x100
1"	0.882	22	1.000	25	4.134	105	2.835	72	8x8	4.961	126	1.575	40	1.713	43.5	3.937	100	4.331	110	100x100
1 1/4"	1.134	29	1.252	32	4.528	115	3.346	85	8x8	4.961	126	1.575	40	1.713	43.5	3.937	100	4.331	110	100x100
1 1/2"	1.382	35	1.500	38	5.315	135	3.937	100	8x8	4.961	126	1.752	44.5	1.713	43.5	3.937	100	4.567	116	100x100
2"	1.882	48	2.000	51	5.709	145	4.331	110	10x10	5.236	133	2.067	52.5	1.870	47.5	4.094	104	4.646	118	100x100
2 1/2"	2.343	60	2.500	64	6.299	160	4.921	125	10x10	5.669	144	2.323	59	1.870	47.5	4.409	112	4.724	120	120x120
3"	2.843	72	3.000	76	7.087	180	5.709	145	10x10	5.669	144	2.579	65.5	1.870	47.5	4.409	112	4.882	124	140x140
3.5"	3.346	85	3.504	89	7.677	195	6.299	160	11x11	5.669	144	2.835	72	1.969	50	4.724	120	5.118	130	140x140
4"	3.843	98	4.000	102	7.677	195	6.299	160	11x11	5.669	144	3.110	79	1.969	50	5.039	128	5.118	130	140x140
108	4.094	104	4.252	108	8.465	215	7.087	180	11x11	6.299	160	3.248	82.5	1.969	50	5.039	128	5.984	152	-
114.3	4.343	110	4.500	114	8.465	215	7.087	180	11x11	6.299	160	3.248	82.5	2.067	52.5	5.039	128	5.984	152	-
133	5.000	127	5.236	133	9.646	245	8.268	210	14x14	8.661	220	3.720	94.5	2.067	52.5	6.299	160	7.008	178	-
6"	5.780	147	6.000	152	11.024	280	9.449	240	14x14	8.661	220	4.331	110	2.067	52.5	7.087	180	7.795	198	-
159	6.024	153	6.260	159	11.024	280	9.449	240	14x14	8.661	220	4.331	110	2.067	52.5	7.087	180	7.795	198	-
8"	7.780	198	8.000	203	13.189	335	11.614	295	14x14	11.181	284	5.709	145	2.067	52.5	7.087	180	10.63	270	-
219	8.307	211	8.622	219	13.189	335	11.614	295	14x14	11.181	284	5.709	145	2.067	52.5	7.087	180	10.630	270	-
10"	9.732	247	10.00	254	15.354	390	13.780	350	14x14	11.181	284	6.850	174	2.067	52.5	-	-	10.63	270	-

NOTE: In keeping with our policy of continuing improvement, we reserve the right to institute changes in design, material, dimensions, or specifications without notice and without incurring any obligation to make such changes and modifications on product previously or subsequently sold.



Horizontal Actuator Butterfly Valve

Electric Actuator Butterfly Valve

Three-way Butterfly Valve

DIN

	Dn		D		H4		H5		L		W		L1		W1		P	
Size	Inch	mm	Inch	mm	Inch	mm	Inch	mm	Inch	mm	Inch	mm	Inch	mm	Inch	mm	Inch	mm
DN10	0.354	9	0.472	12	4.882	124	5.551	141	5.768	146.5	2.776	70.5	6.378	162	4.528	115	-	-
DN15	0.591	15	0.709	18	4.882	124	5.551	141	5.768	146.5	2.776	70.5	6.378	162	4.528	115	-	-
DN20	0.748	19	0.866	22	4.882	124	5.551	141	5.768	146.5	2.776	70.5	6.378	162	4.528	115	-	-
DN25	0.984	25	1.102	28	4.882	124	5.551	141	5.768	146.5	2.776	70.5	6.378	162	4.528	115	1.969	50
DN32	1.220	31	1.339	34	4.882	124	5.551	141	5.768	146.5	2.776	70.5	6.378	162	4.528	115	2.165	55
DN40	1.457	37	1.575	40	5.512	140	5.551	141	6.319	160.5	3.268	83	6.378	162	4.528	115	2.362	60
DN50	1.929	49	2.047	52	5.512	140	5.551	141	6.319	160.5	3.268	83	6.378	162	4.528	115	2.756	70
DN65	2.598	66	2.756	70	5.512	140	5.551	141	6.319	160.5	3.268	83	6.378	162	4.528	115	3.150	80
DN80	3.189	81	3.346	85	6.181	157	5.551	141	8.543	217	3.720	94.5	6.378	162	4.528	115	3.543	90
DN100	3.937	100	4.094	104	6.181	157	5.551	141	8.543	217	3.720	94.5	6.378	162	4.528	115	3.937	100
DN125	4.921	125	5.079	129	7.559	192	7.244	184	9.843	250	4.173	106	8.189	208	4.803	122	-	-
DN150	5.906	150	6.063	154	8.031	204	7.244	184	10.571	268.5	4.843	123	8.189	208	4.803	122	-	-
DN200	7.874	200	8.031	204	9.055	230	8.189	208	12.402	315	5.551	141	10.157	258	5.827	148	-	-
DN250	9.843	250	10.000	254	10.315	262	8.189	208	16.142	410	6.614	168	10.157	258	5.827	148	-	-
DN300	11.811	300	11.969	304	11.063	281	8.189	208	17.323	440	5.827	148	10.157	258	5.827	148	-	-

INCH

	Dn		D		H4		H5		L		W		L1		W1		P	
Size	Inch	mm	Inch	mm	Inch	mm	Inch	mm	Inch	mm	Inch	mm	Inch	mm	Inch	mm	Inch	mm
1/2"	0.382	9.7	0.500	12.7	4.882	124	5.551	141	5.768	146.5	2.776	70.5	6.378	162	4.528	115	-	-
3/4"	0.634	16.1	0.752	19.1	4.882	124	5.551	141	5.768	146.5	2.776	70.5	6.378	162	4.528	115	-	-
1"	0.882	22.4	1.000	25.4	4.882	124	5.551	141	5.768	146.5	2.776	70.5	6.378	162	4.528	115	-	-
1 1/4"	1.134	28.8	1.252	31.8	4.882	124	5.551	141	5.768	146.5	2.776	70.5	6.378	162	4.528	115	-	-
1 1/2"	1.382	35.1	1.500	38.1	5.512	140	5.551	141	6.319	160.5	3.268	83	6.378	162	4.528	115	-	-
2"	1.882	47.8	2.000	50.8	5.512	140	5.551	141	6.319	160.5	3.268	83	6.378	162	4.528	115	-	-
2 1/2"	2.343	59.5	2.500	63.5	5.512	140	5.551	141	6.319	160.5	3.268	83	6.378	162	4.528	115	-	-
3"	2.843	72.2	3.000	76.2	6.181	157	5.551	141	8.543	217	3.720	94.5	6.378	162	4.528	115	-	-
3.5"	3.346	85	3.504	89	6.181	157	5.551	141	8.543	217	3.720	94.5	6.378	162	4.528	115	-	-
4"	3.843	97.6	4.000	101.6	6.181	157	5.551	141	8.543	217	3.720	94.5	6.378	162	4.528	115	-	-
108	4.094	104	4.252	108	6.181	157	5.551	141	8.543	217	3.720	94.5	6.378	162	4.528	115	-	-
114.3	4.343	110.3	4.500	114.3	7.559	192	7.244	184	9.843	250	4.173	106	8.189	208	4.803	122	-	-
133	5.000	127	5.236	133	7.559	192	7.244	184	9.843	250	4.173	106	8.189	208	4.803	122	-	-
6"	5.780	146.8	6.000	152.4	8.031	204	7.244	184	10.571	268.5	4.843	123	8.189	208	4.803	122	-	-
159	6.024	153	6.260	159	8.031	204	7.244	184	10.571	268.5	4.843	123	8.189	208	4.803	122	-	-
8"	7.780	197.6	8.000	203.2	9.055	230	8.189	208	12.402	315	5.551	141	10.157	258	5.827	148	-	-
219	8.307	211	8.622	219	9.055	230	8.189	208	16.142	410	6.614	168	10.157	258	5.827	148	-	-
10"	9.732	247.2	10.000	254	10.315	262	8.189	208	16.142	410	6.614	168	10.157	258	5.827	148	-	-

NOTE: In keeping with our policy of continuing improvement, we reserve the right to institute changes in design, material, dimensions, or specifications without notice and without incurring any obligation to make such changes and modifications on product previously or subsequently sold.