

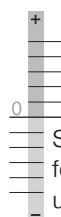
2.9

Namur Valves

Namur 1/4" also called "Namur 1" in accordance to VDI/VDE 3845. Namur 1/2" also called "Namur 2".



Selected models are available for low temperature application.
Temperature-range: - 50° C to + 50° C.
For detailed information refer to chapter 2.11.



Selected models can be equipped for high temperature environments up to 80 °C, DC only!



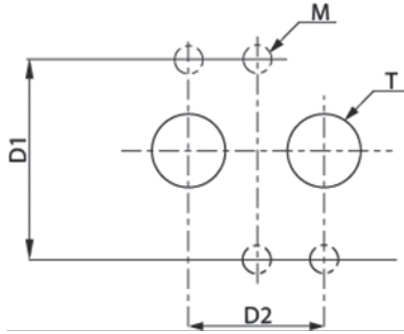
Selected models are available in stainless steel.
For detailed information refer to chapter 2.12.

Selected models are available for explosion hazardous environment. They are ATEX-Ex certified. For detailed information refer to chapter 2.14.

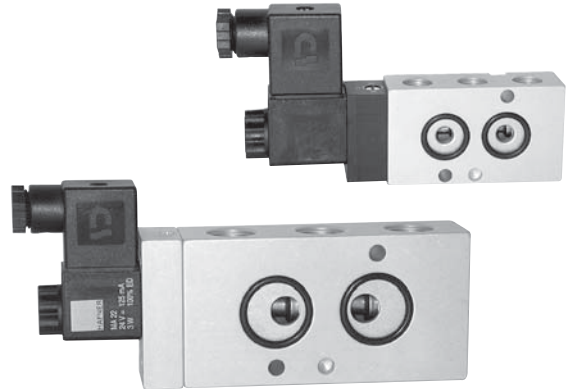


General information: Valves with the 1/4" and 1/2" NAMUR-interface and different flow rates

The Hafner NAMUR-valves are available with the 1/4" standard in accordance to VDI / VDE 3845 also called NAMUR 1 – as well as with the 1/2" standard – also called NAMUR 2.



NAMUR-standard: Drawing of the actuator flange



Notice: Difference between 1/4" – 1/8" and 1/2" – 3/8" is port-size and position as well as the size, position and depth of the fixing screws in the actuator. On actuators NAMUR 1 (G 1/8" and G 1/4") the same NAMUR-valves can be used. The same is true on NAMUR 2 (G 3/8" and G 1/2") where also the same NAMUR-valves fit.

| Type | D1 (mm) | D2 (mm) | M (mm) |
|-------------|---------|---------|--------|
| 1/4" (1/8") | 32 | 24 | M5 |
| 1/2" (3/8") | 45 | 40 | M6 |

Hafner's target to offer valves with maximum flow leads to offer 3 sizes of NAMUR-valves.



Series 701 / 711 Orifice size 7 1.250 l/min
NAMUR-interface 1/4"
Port size G 1/4" or 1/4" NPT



Series 101 Orifice size 10 2.250 l/min
NAMUR-interface 1/4"
Port size G 3/8"



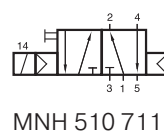
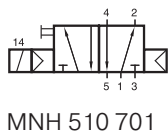
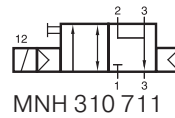
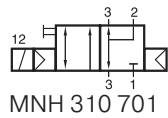
Series 121 Orifice size 12 3.000 l/min
NAMUR-interface 1/2"
Port size G 1/2" or 1/2" NPT

For single solenoid valves we offer two different port-schemes. Use depends on actuator interface.

2 port-schemes for 1/4" NAMUR-valves

standard port-scheme

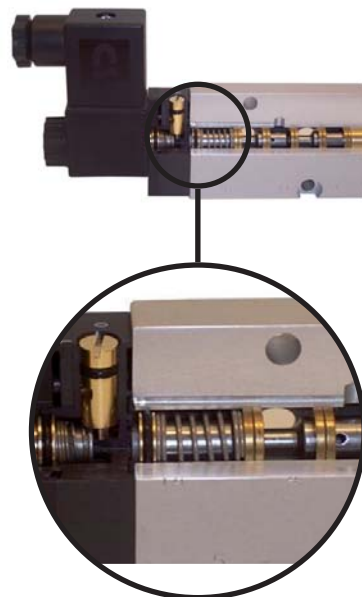
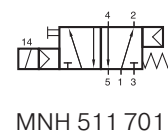
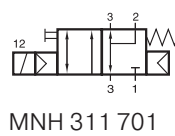
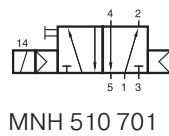
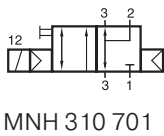
alternative port-scheme



Single solenoid and single pilot valves are available with air spring or combined (air and mechanical spring) return.

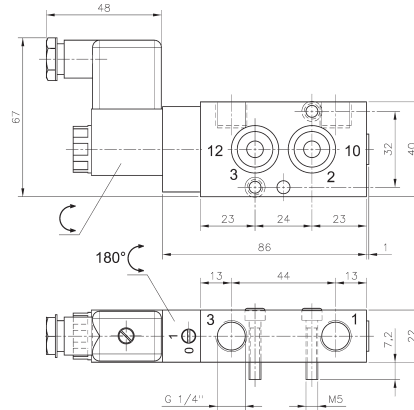
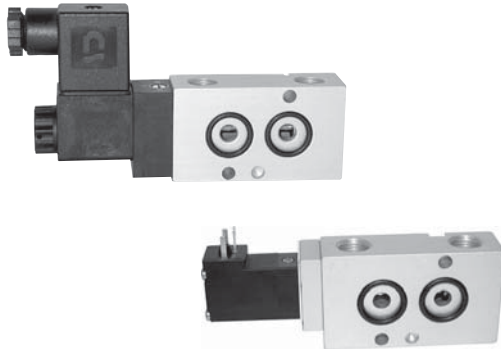
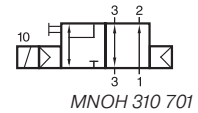
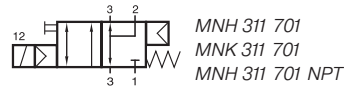
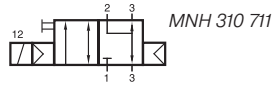
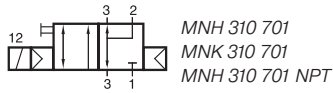
Valves with air spring return

Valves with combined spring return



Combined spring assures a **fail-safe function** in case of loss of air pressure. Also available in 1/2"-valves.

MNH 310 701/MNH 310 711/MNH 311 701 MNOH 310 701/MNK 310 701/MNK 311 701



**MNH 310 701/MNH 311 701/MNOH 310 701
MNH 310 701 NPT/MNH 311 701 NPT**

3/2-way solenoid valve, actuated by permanent signal. Interface according to 1/4" NAMUR-standard, with exhaust air recirculation ("purge").

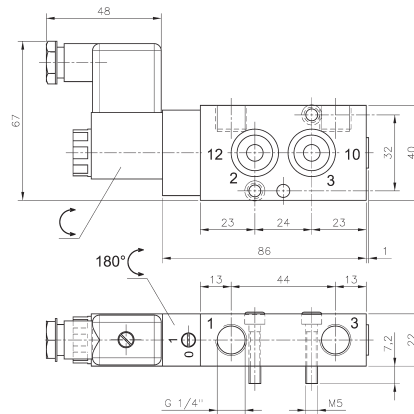
Type MNH 31_7_1 normally closed
Type MNOH 31_701 normally open
Type MNK 31_701 n.c. low power

MNH 310 701, MNH 310 711, MNOH 310 701 and MNK 310 701 with pneumatic spring return, MNH 311 701 and MNK 311 701 with combined spring assuring a fail-safe function.

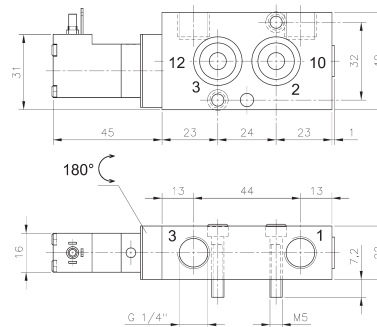
MNH generally with manual override to turn with solenoid operators 230V/50Hz, 110V/50Hz, 24V/50Hz, 48V=, 24V=, 12V=.

MNK with manual override to push with solenoid operators 230V/50Hz, 110V/50Hz, 24V/50Hz, 24V=, 12V=, 6V=

Delivery includes 1 pin, 2 screws and 2 O-rings.



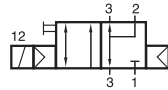
MNH 310 711 ports 1 and 3 are swapped!



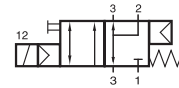
MNK 310 701/MNK 311 701

| Type | Function | Port size | Air flow | Operating press. | Power cons. | Weight |
|-----------------|----------|-----------|------------|------------------|------------------|---------|
| MNH 310 701 | n.c. | G 1/4" | 1250 l/min | 2 - 10 bar | 3 W = / 5 VA ~ | 0,26 kg |
| MNOH 310 701 | n.o. | G 1/4" | 1250 l/min | 2 - 10 bar | 3 W = / 5 VA ~ | 0,26 kg |
| MNH 310 711 | n.c. | G 1/4" | 1250 l/min | 2 - 10 bar | 3 W = / 5 VA ~ | 0,26 kg |
| MNH 311 701 | n.c. | G 1/4" | 1250 l/min | 2,5 - 10 bar | 3 W = / 5 VA ~ | 0,26 kg |
| MNK 310 701 | n.c. | G 1/4" | 1250 l/min | 2 - 10 bar | 1,8 W = / 3 VA ~ | 0,21 kg |
| MNK 311 701 | n.c. | G 1/4" | 1250 l/min | 2,5 - 10 bar | 1,8 W = / 3 VA ~ | 0,21 kg |
| MNH 310 701 NPT | n.c. | 1/4" NPT | 1250 l/min | 2 - 10 bar | 3 W = / 5 VA ~ | 0,26 kg |
| MNH 311 701 NPT | n.c. | 1/4" NPT | 1250 l/min | 2,5 - 10 bar | 3 W = / 5 VA ~ | 0,26 kg |

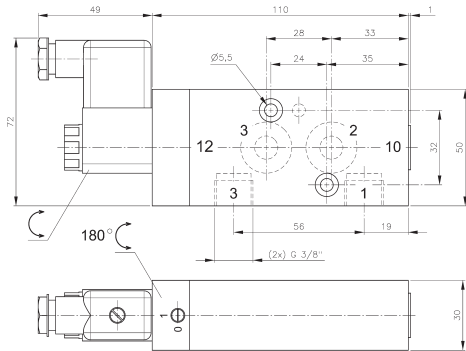
MNH 310 101/MNH 311 101 MNH 310 121/MNH 311 121



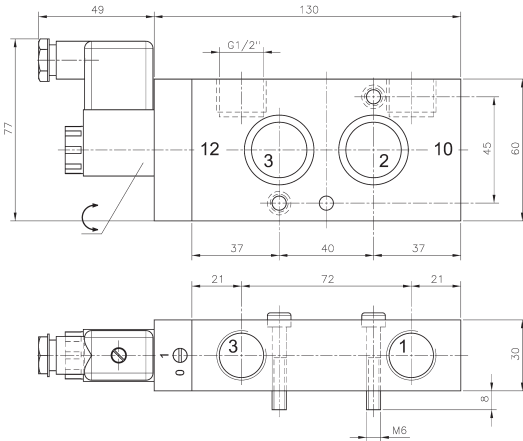
MNH 310 101
MNH 310 121
MNH 310 121 NPT



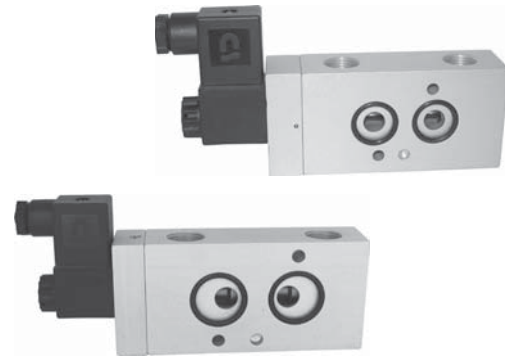
MNH 311 101
MNH 311 121
MNH 311 121 NPT



MNH 310 101/MNH 311 101



**MNH 310 121/MNH 311 121
MNH 310 121 NPT/MNH 311 121 NPT**



3/2-way solenoid valve, actuated by permanent signal. Interface according to NAMUR-standard, with exhaust air recirculation ("purge").

Type 101 according to 1/4" NAMUR-standard
Type 121 according to 1/2" NAMUR-standard

MNH 310 101, MNH 310 121 with pneumatic spring return, MNH 311 101 and MNH 311 121 with combined spring assuring a fail-safe function.

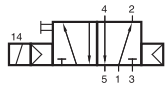
Available with solenoid operators:
230V/50Hz, 110V/50Hz, 24V/50Hz, 48V=,
24V-, 12V-.

The valves are generally equipped with manual override to turn.

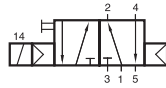
Delivery includes 1 pin, 2 screws, 2 O-rings.

| Type | NAMUR Port size | Air flow | Operating press. | Power cons. | Weight |
|-----------------|-----------------|------------|------------------|----------------|---------|
| MNH 310 101 | 1/4" G 3/8" | 2250 l/min | 1,5 - 10 bar | 3 W = / 5 VA ~ | 0,55 kg |
| MNH 311 101 | 1/4" G 3/8" | 2250 l/min | 2,5 - 10 bar | 3 W = / 5 VA ~ | 0,55 kg |
| MNH 310 121 | 1/2" G 1/2" | 3000 l/min | 1,0 - 10 bar | 3 W = / 5 VA ~ | 0,70 kg |
| MNH 311 121 | 1/2" G 1/2" | 3000 l/min | 2,5 - 10 bar | 3 W = / 5 VA ~ | 0,70 kg |
| MNH 310 121 NPT | 1/2" 1/2" NPT | 3000 l/min | 1,0 - 10 bar | 3 W = / 5 VA ~ | 0,70 kg |
| MNH 311 121 NPT | 1/2" 1/2" NPT | 3000 l/min | 2,5 - 10 bar | 3 W = / 5 VA ~ | 0,70 kg |

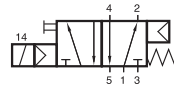
MNH 510 701/MNH 510 711/MNH 511 701 MNH 511 711/MNK 510 701/MNK 511 701



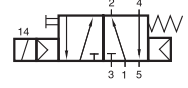
MNH 510 701
MNK 510 701
MNH 510 701 NPT



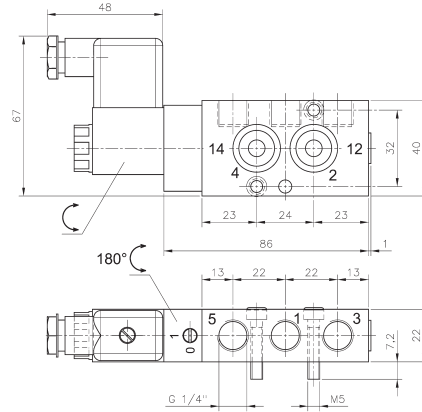
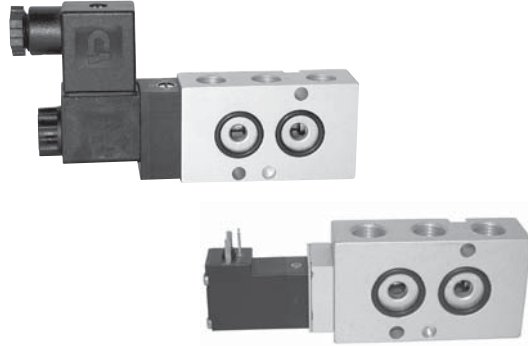
MNH 510 711



MNH 511 701
MNK 511 701
MNH 511 701 NPT



MNH 511 711



MNH 510 701/MNH 511 701
MNH 510 701 NPT/MNH 511 701 NPT

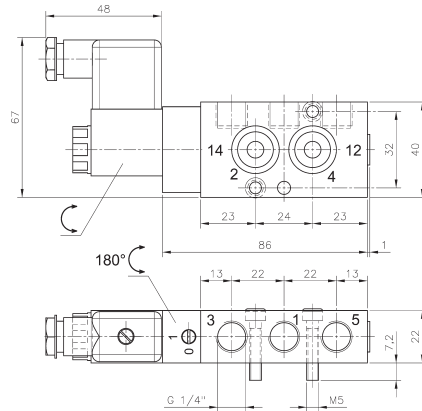
5/2-way solenoid valve, actuated by permanent signal. Interface according to 1/4" NAMUR-standard.

MNH 510 701, MNH 510 711 and MNK 510 701 with pneumatic spring return, MNH 511 701, MNH 511 711 and MNK 511 701 with combined spring.

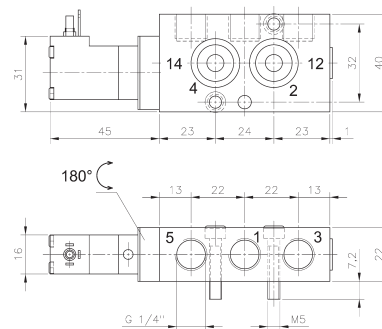
MNH generally with manual override to turn with solenoid operators 230V/50Hz, 110V/50Hz, 24V/50Hz, 48V=, 24V=, 12V=.

MNK with manual override to push with solenoid operators 230V/50Hz, 110V/50Hz, 24V/50Hz, 24V=, 12V=, 6V=.

Delivery includes 1 pin, 2 screws, 2 O-rings.



MNH 510 711/MNH 511 711
ports 2,4,3,5 are swapped!

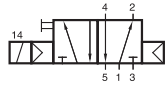


MNK 510 701/MNK 511 701

| Type | Port size | Air flow | Operating press. | Power consumption | Weight |
|-----------------|-----------|------------|------------------|-------------------|---------|
| MNH 510 701 | G 1/4" | 1250 l/min | 2 - 10 bar | 3 W = / 5 VA ~ | 0,26 kg |
| MNH 510 711 | G 1/4" | 1250 l/min | 2 - 10 bar | 3 W = / 5 VA ~ | 0,26 kg |
| MNH 511 701 | G 1/4" | 1250 l/min | 2,5 - 10 bar | 3 W = / 5 VA ~ | 0,26 kg |
| MNH 511 711 | G 1/4" | 1250 l/min | 2,5 - 10 bar | 3 W = / 5 VA ~ | 0,26 kg |
| MNK 510 701 | G 1/4" | 1250 l/min | 2 - 10 bar | 1,8 W = / 3 VA ~ | 0,21 kg |
| MNK 511 701 | G 1/4" | 1250 l/min | 2,5 - 10 bar | 1,8 W = / 3 VA ~ | 0,21 kg |
| MNH 510 701 NPT | 1/4" NPT | 1250 l/min | 2 - 10 bar | 3 W = / 5 VA ~ | 0,26 kg |
| MNH 511 701 NPT | 1/4" NPT | 1250 l/min | 2,5 - 10 bar | 3 W = / 5 VA ~ | 0,26 kg |



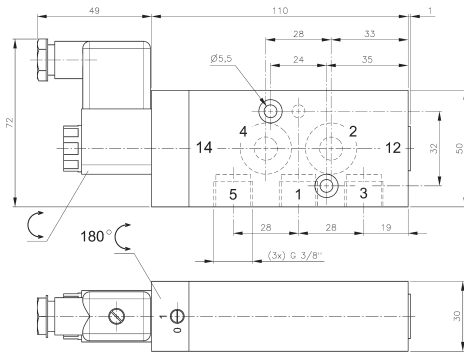
MNH 510 101/MNH 511 101 MNH 510 121/MNH 511 121



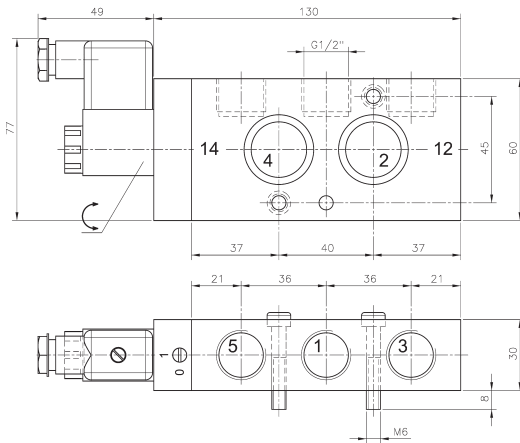
MNH 510 101
MNH 510 121
MNH 510 121 NPT



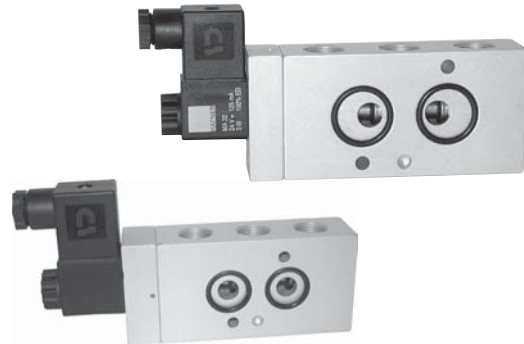
MNH 511 101
MNH 511 121
MNH 511 121 NPT



MNH 510 101/MNH 511 101



**MNH 510 121/MNH 511 121
MNH 510 121 NPT/MNH 511 121 NPT**



5/2-way solenoid valve, actuated by permanent signal. Interface according to NAMUR-standard.

Type 101 according to 1/4" NAMUR-standard
Type 121 according to 1/2" NAMUR-standard

MNH 510 101, MNH 510 121 with pneumatic spring return, MNH 511 101 and MNH 511 121 with combined spring.

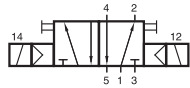
Available with solenoid operators:
230V/50Hz, 110V/50Hz, 24V/50Hz, 48V=,
24V=, 12V=.

The valves are generally equipped with manual override to turn.

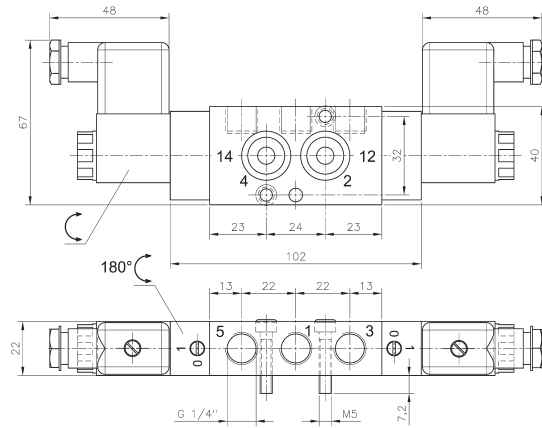
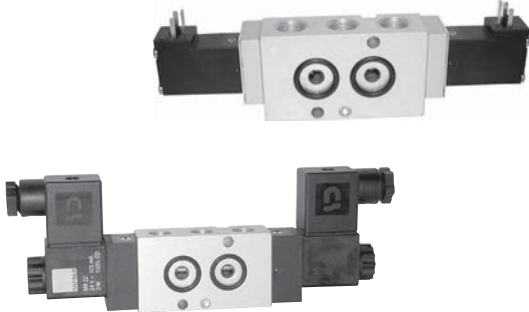
Delivery includes 1 pin, 2 screws, 2 O-rings.

| Type | NAMUR Port size | Air flow | Operating press. | Power cons. | Weight |
|-----------------|-----------------|------------|------------------|----------------|---------|
| MNH 510 101 | 1/4" G 3/8" | 2250 l/min | 1,5 - 10 bar | 3 W = / 5 VA ~ | 0,55 kg |
| MNH 511 101 | 1/4" G 3/8" | 2250 l/min | 2,5 - 10 bar | 3 W = / 5 VA ~ | 0,55 kg |
| MNH 510 121 | 1/2" G 1/2" | 3000 l/min | 1,0 - 10 bar | 3 W = / 5 VA ~ | 0,70 kg |
| MNH 511 121 | 1/2" G 1/2" | 3000 l/min | 2,5 - 10 bar | 3 W = / 5 VA ~ | 0,70 kg |
| MNH 510 121 NPT | 1/2" 1/2" NPT | 3000 l/min | 1,0 - 10 bar | 3 W = / 5 VA ~ | 0,70 kg |
| MNH 511 121 NPT | 1/2" 1/2" NPT | 3000 l/min | 2,5 - 10 bar | 3 W = / 5 VA ~ | 0,70 kg |

MNH 520 701/MNH 520 101/MNH 520 121 MNK 520 701



MNH 520 701
MNH 520 101
MNH 520 121
MNK 520 701
MNH 520 701 NPT
MNH 520 121 NPT



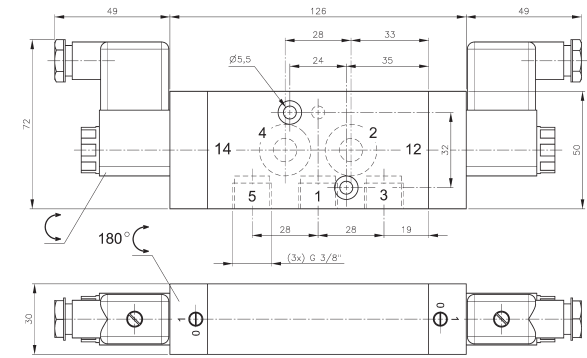
MNH 520 701/MNH 520 701 NPT

5/2-way solenoid valve actuated by impulse.
Position is kept until next electrical signal even
when not attached to electrical source. Interface
according to NAMUR-standard.

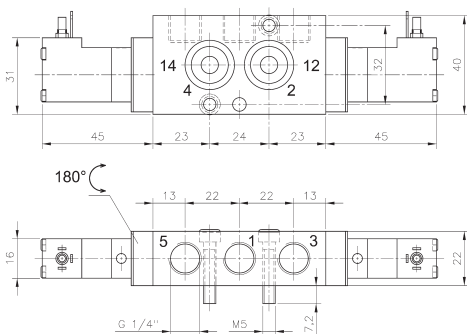
MNH generally with manual override to turn
with solenoid operators 230V/50Hz, 110V/50Hz,
24V/50Hz, 48V=, 24V=, 12V=.

MNK with manual override to push with solenoid
operators 230V/50Hz, 110V/50Hz, 24V/50Hz,
24V=, 12V=, 6V=.

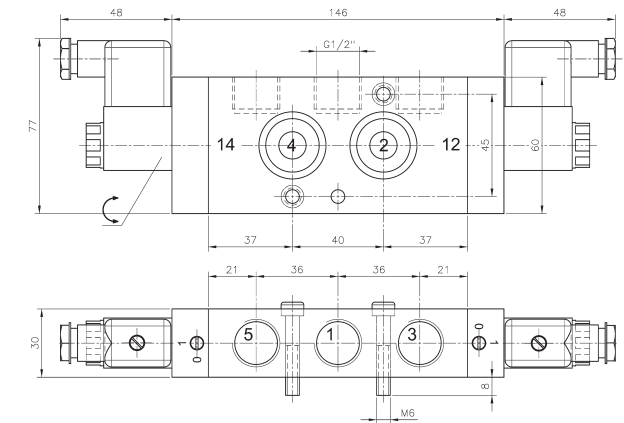
Delivery includes 1 pin, 2 screws, 2 O-rings.



MNH 520 101

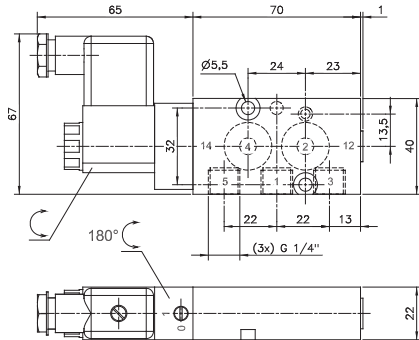
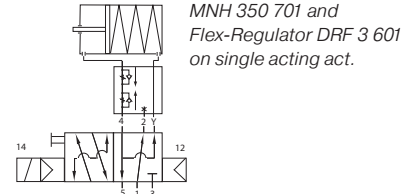
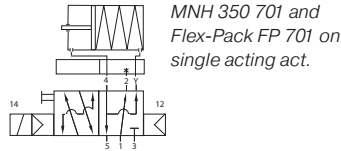
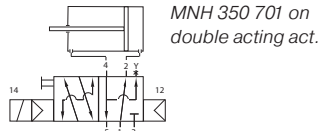


MNK 520 701

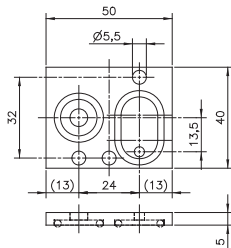
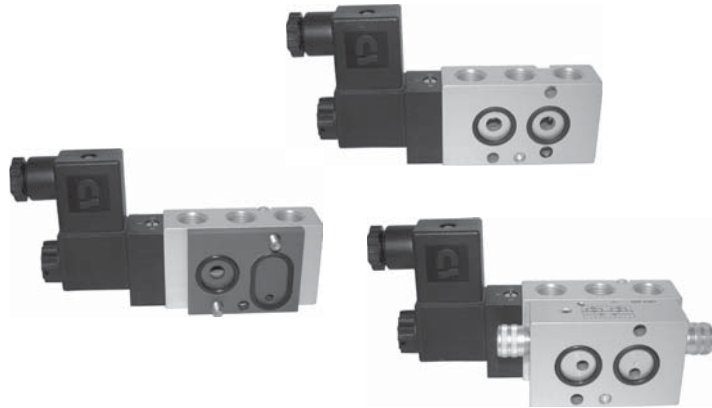


MNH 520 121/MNH 520 121 NPT

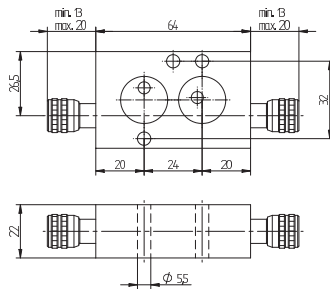
| Type | NAMUR Port size | Air flow | Operating press. | Power cons. | Weight | |
|-----------------|-----------------|----------|------------------|--------------|--------------------------|--------|
| MNH 520 701 | 1/4" | G 1/4" | 1250 l/min | 2 - 10 bar | 3 W = / 5 VA ~ 0,35 kg | Ex 316 |
| MNH 520 101 | 1/4" | G 3/8" | 2250 l/min | 1,5 - 10 bar | 3 W = / 5 VA ~ 0,84 kg | |
| MNH 520 121 | 1/2" | G 1/2" | 3000 l/min | 1,0 - 10 bar | 3 W = / 5 VA ~ 0,87 kg | Ex |
| MNK 520 701 | 1/4" | G 1/4" | 1250 l/min | 2 - 10 bar | 1,8 W = / 3 VA ~ 0,31 kg | |
| MNH 520 701 NPT | 1/4" | 1/4" NPT | 1250 l/min | 1,5 - 10 bar | 3 W = / 5 VA ~ 0,35 kg | Ex 316 |
| MNH 520 121 NPT | 1/2" | 1/2" NPT | 3000 l/min | 1,0 - 10 bar | 3 W = / 5 VA ~ 0,87 kg | 316 |



MNH 350 701/MNH 351 701
MNH 350 701 NPT/MNH 351 701 NPT



FP 701 K/FP 701 A



DRF 3 601

5/2-way solenoid valve, actuated by permanent signal. Interface according to 1/4" NAMUR-standard. Adding the „Flex-Pack“, converts the valve into a 3/2-way NAMUR-valve with exhaust-air recirculation (“purge”).

MNH 350 701 with pneumatic spring return,
MNH 351 701 with combined spring.

Valves are available with solenoid operators:
230V/50Hz, 110V/50Hz, 24V/50Hz, 48V=,
24V=, 12V=

Valves are generally equipped with manual override.

Delivery of valve includes 1 pin, 2 screws, 2 O-rings.

Instead of the Flex-Pack the „Flex-regulator“ Type DRF 601 converts the function of the valve and offers the possibility to control opening- and closing-speed of a spring-return actuator independently.

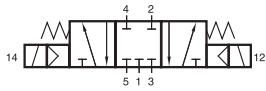
Delivery of FP 701 and DRF 3 601 includes longer screws, seals as well as a plug to close port 3 of the valve.

| Type | Material | Orifice 4 | Orifice 2-3 | Weight |
|-----------|-------------|------------|-------------|----------|
| FP 701 K | PA | 7 mm | 4 mm | 0,012 kg |
| FP 701 A | alu | 7 mm | 4 mm | 0,016 kg |
| DRF 3 601 | alu + brass | 0,5 - 6 mm | 4 mm | 0,18 kg |

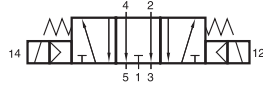
| Type | Port size | Air flow | Operating press. | Power Cons. | Weight |
|-----------------|-----------|------------|------------------|----------------|---------|
| MNH 350 701 | G 1/4" | 1250 l/min | 2 - 10 bar | 3 W = / 5 VA ~ | 0,24 kg |
| MNH 351 701 | G 1/4" | 1250 l/min | 2,5 - 10 bar | 3 W = / 5 VA ~ | 0,24 kg |
| MNH 350 701 NPT | 1/4" NPT | 1250 l/min | 2 - 10 bar | 3 W = / 5 VA ~ | 0,24 kg |
| MNH 351 701 NPT | 1/4" NPT | 1250 l/min | 2,5 - 10 bar | 3 W = / 5 VA ~ | 0,24 kg |



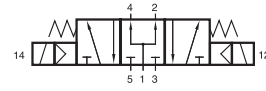
MNH 531 701/MNH 532 701/MNH 533 701 MNH 531 101/MNH 531 121/MNK 531 701



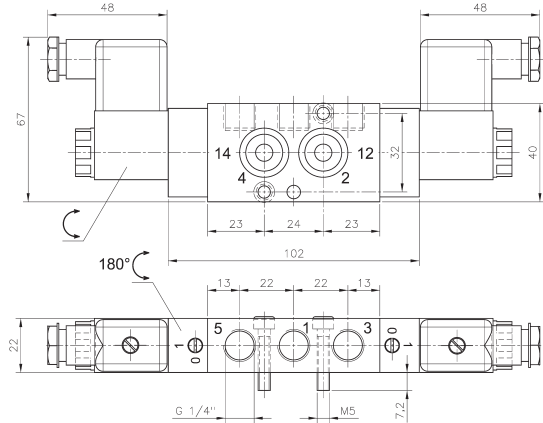
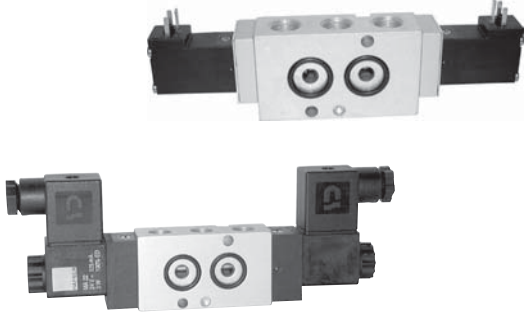
MNH 531 701
MNH 531 101
MNH 531 121
MNK 531 701
MNH 531 701 NPT
MNH 531 121 NPT



MNH 532 701



MNH 533 701



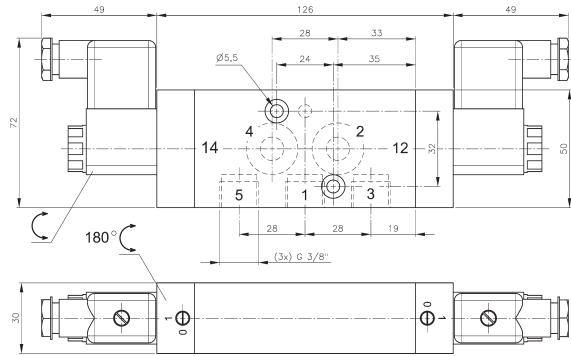
MNH 53_701/MNH 531 701 NPT

5/3-way solenoid valve with spring return to middle position. Interface according to NAMUR-standard.

- Type 531 centre closed
- Type 532 centre exhausted
- Type 533 centre pressurised

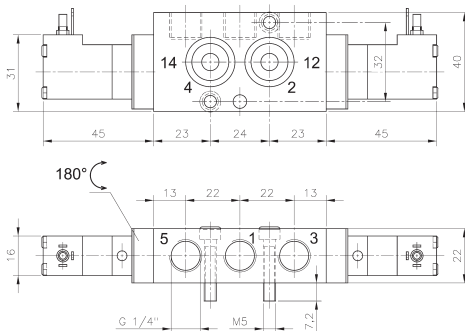
MNH generally with manual override to turn with solenoid operators 230V/50Hz, 110V/50Hz, 24V/50Hz, 48V=, 24V=, 12V=.

MNK with manual override to push with solenoid operators 230V/50Hz, 110V/50Hz, 24V/50Hz, 24V=, 12V=, 6V=.

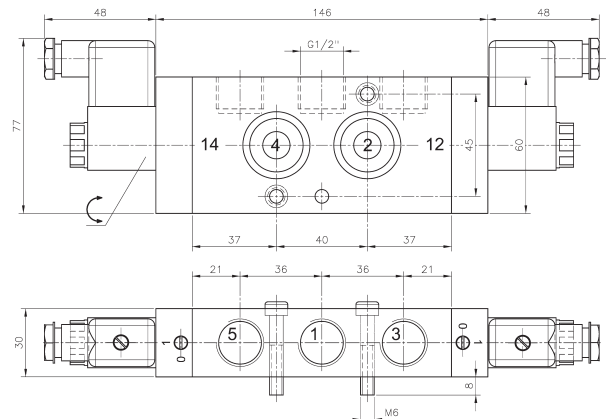


MNH 531 101

Delivery includes 1 pin, 2 screws and 2 O-rings.



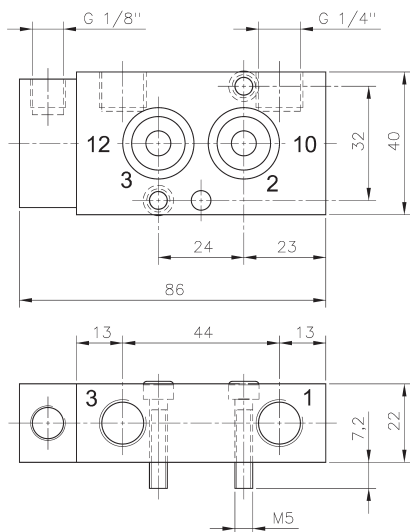
MNK 531 701



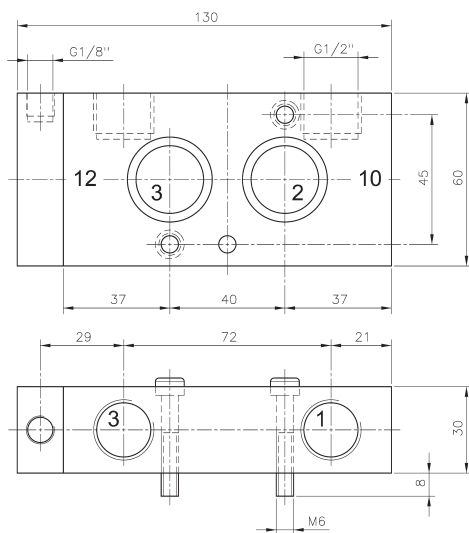
MNH 531 121/MNH 531 121 NPT

| Type | NAMUR Port size | Air flow | Operating press. | Power cons. | Weight |
|-----------------|-----------------|----------|-----------------------|------------------|---------|
| MNH 53_701 | 1/4" | G 1/4" | 1250 l/min 3 - 10 bar | 3 W = / 5 VA ~ | 0,36 kg |
| MNH 531 101 | 1/4" | G 3/8" | 2250 l/min 3 - 10 bar | 3 W = / 5 VA ~ | 0,84 kg |
| MNH 531 121 | 1/2" | G 1/2" | 3000 l/min 3 - 10 bar | 3 W = / 5 VA ~ | 0,87 kg |
| MNK 531 701 | 1/4" | G 1/4" | 1250 l/min 3 - 10 bar | 1,8 W = / 3 VA ~ | 0,32 kg |
| MNH 531 701 NPT | 1/4" | 1/4" NPT | 1250 l/min 3 - 10 bar | 3 W = / 5 VA ~ | 0,36 kg |
| MNH 531 121 NPT | 1/2" | 1/2" NPT | 3000 l/min 3 - 10 bar | 3 W = / 5 VA ~ | 0,87 kg |

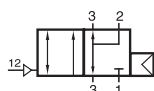
PN 310 701/PN 311 701/PN 310 121



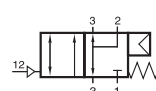
PN 310 701/PN 311 701



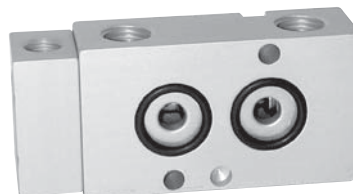
PN 310 121



PN 310 701
PN 310 121



PN 311 701



Pneumatically actuated 3/2-way spool valve. Interface according to NAMUR-standard with exhaust recirculation („purge“).

PN 310 701 and PN 310 121 with pneumatic spring. For valves with pure pneumatic spring operating and actuation pressure should be at the same level. PN 311 701 with combined mechanical and pneumatic spring return.

Port sizes type 701: 1 and 3: G 1/4"
12: G 1/8"

Port sizes type 121: 1 and 3: G 1/2"
12: G 1/8"

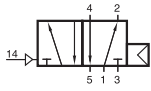
Delivery includes 1 pin, 2 screws, 2 O-rings.

NPT ported valves are available on request.

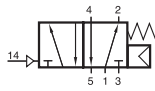
| Type | NAMUR Port size | Air flow | Operating press. | Actuation press. | Weight |
|------------|----------------------|------------|------------------|------------------|---------|
| PN 310 701 | 1/4" G 1/4" - G 1/8" | 1250 l/min | 2 - 10 bar | the same | 0,20 kg |
| PN 311 701 | 1/4" G 1/4" - G 1/8" | 1250 l/min | 3 - 10 bar | 3 - 10 bar | 0,20 kg |
| PN 310 121 | 1/2" G 1/2" - G 1/8" | 3000 l/min | 1 - 10 bar | the same | 0,62 kg |



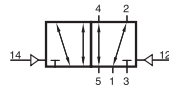
PN 510 701/PN 511 701/PN 510 121 PN 520 701/PN 520 121



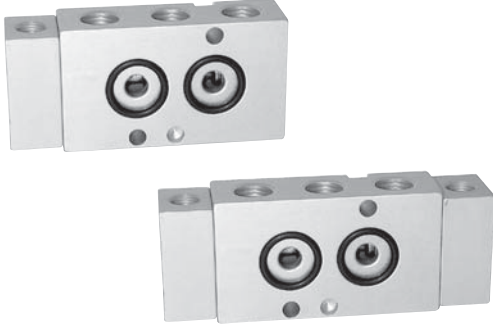
PN 510 701
PN 510 121



PN 511 701



PN 520 701
PN 520 121



Pneumatically actuated 5/2-way spool valve. Interface according to NAMUR-standard.

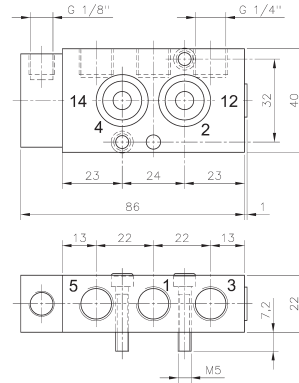
PN 510 701 and PN 510 121 with pneumatic spring. For valves with pure pneumatic spring operating and actuation pressure should be at the same level. PN 511 701 with combined mechanical and pneumatic spring return. PN 520 with double pilot.

Port sizes type 701: 1, 3 and 5: G 1/4"
12 and 14: G 1/8"

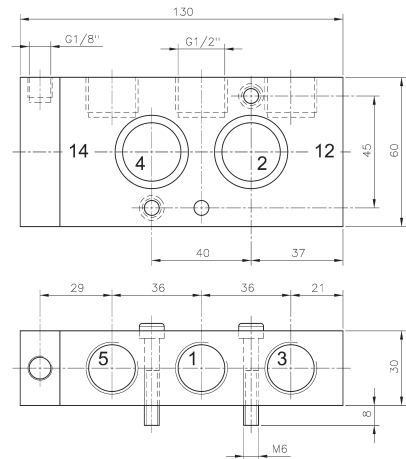
Port sizes type 121: 1, 3 and 5: G 1/2"
12 and 14: G 1/8"

Delivery includes 1 pin, 2 screws, 2 O-rings.

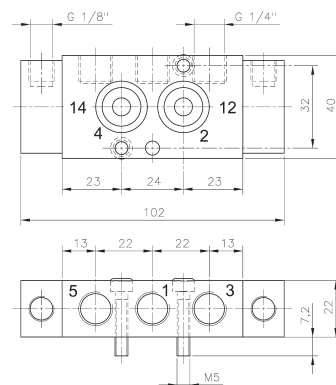
NPT ported valves are available on request.



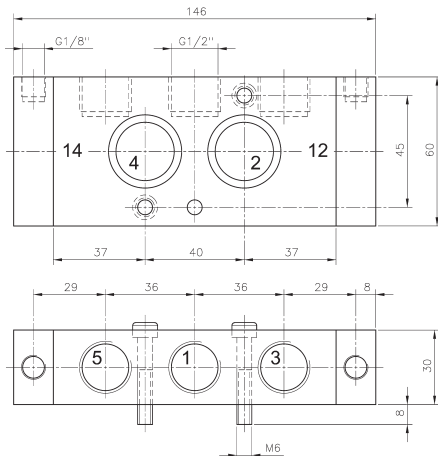
PN 510 701/PN 511 701



PN 510 121

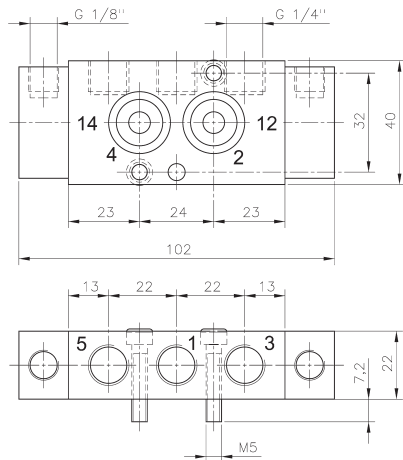
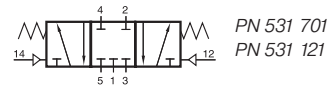


PN 520 701

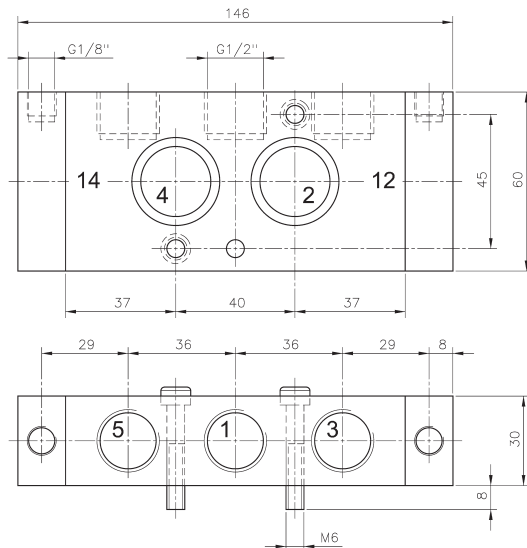


PN 520 121

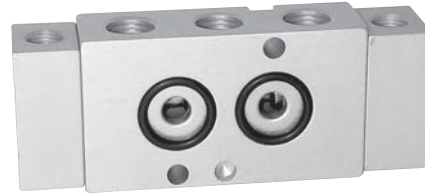
| Type | NAMUR Port size | | Air flow | Operating press. | Actuating press. | Weight |
|------------|-----------------|-----------------|------------|------------------|------------------|---------|
| PN 510 701 | 1/4" | G 1/4" - G 1/8" | 1250 l/min | 2 - 10 bar | the same | 0,19 kg |
| PN 511 701 | 1/4" | G 1/4" - G 1/8" | 1250 l/min | 3 - 10 bar | 3 - 10 bar | 0,19 kg |
| PN 510 121 | 1/2" | G 1/2" - G 1/8" | 3000 l/min | 1 - 10 bar | the same | 0,60 kg |
| PN 520 701 | 1/4" | G 1/4" - G 1/8" | 1250 l/min | 2 - 10 bar | 2,5 - 10 bar | 0,22 kg |
| PN 520 121 | 1/2" | G 1/2" - G 1/8" | 3000 l/min | 1 - 10 bar | 2,5 - 10 bar | 0,67 kg |



PN 531 701



PN 531 121



Pneumatically actuated 5/3-way spool valve with spring return to middle position, centre closed. Interface according to NAMUR-standard.

Port sizes type 701: 1, 3 and 5: G 1/4"
12 and 14: G 1/8"

Port sizes type 121: 1, 3 and 5: G 1/2"
12 and 14: G 1/8"

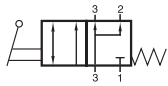
Other 5/3-way versions (centre exhausted or pressurised) are available on request.

Delivery includes 1 pin, 2 screws, 2 O-rings.

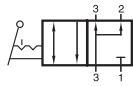
NPT ported valves are available on request.

| Type | NAMUR Port size | Air flow | Operating press. | Actuation press. | Weight |
|------------|----------------------|------------|------------------|------------------|---------|
| PN 531 701 | 1/4" G 1/4" - G 1/8" | 1250 l/min | 1 - 10 bar | 3 - 10 bar | 0,22 kg |
| PN 531 121 | 1/2" G 1/2" - G 1/8" | 3000 l/min | 1 - 10 bar | 3 - 10 bar | 0,67 kg |

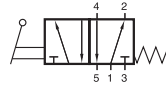
HVN 311 701/HVRN 320 701 HVN 511 701/HVRN 520 701



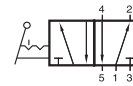
HVN 311 701



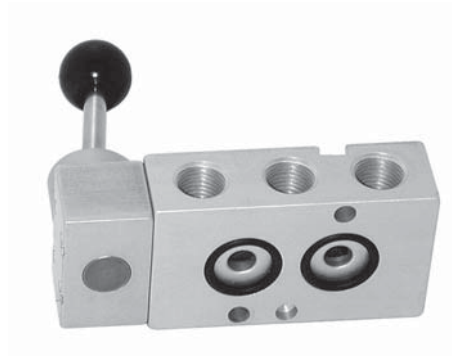
HVRN 320 701



HVN 511 701



HVRN 520 701



Lever actuated spool valves with interface according to 1/4" NAMUR- standard.
4 versions are offered:

- HVN 311 701 3/2-way, normally closed with spring return
- HVRN 320 701 3/2-way, indexed
- HVN 511 701 5/2-way with spring return
- HVRN 520 701 5/2-way indexed

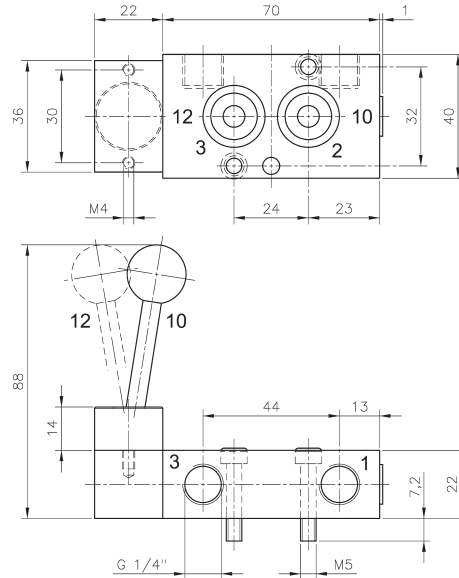
3/2-way valves offer exhaust air recirculation („purge“).

The lever is sealed by using a metal ball.

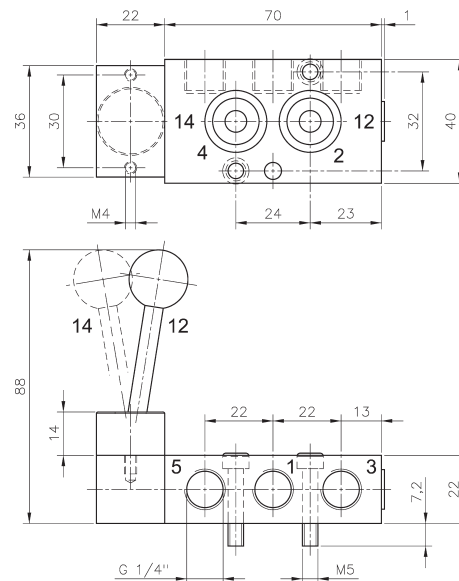
Exhaust can be throttled.

Delivery includes 1 pin, 2 screws, 2 O-rings.

NPT ported versions and 5/3-way valves are available on request.

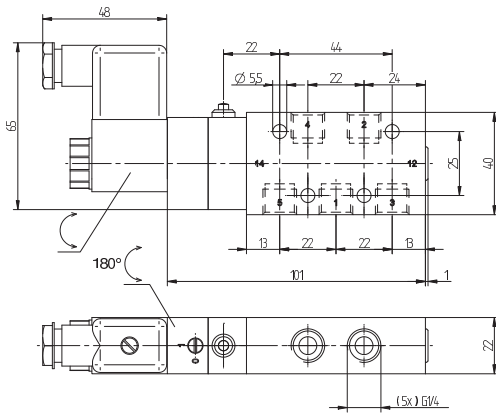


HVN 311 701/HVRN 320 701



HVN 511 701/HVRN 520 701

| Type | Function | Port size | Air flow | Operating press. | Actuating force | Weight |
|--------------|-----------------|-----------|------------|------------------|-----------------|---------|
| HVN 311 701 | 3/2-way spring | G 1/4" | 1250 l/min | 1 - 10 bar | 20 N | 0,24 kg |
| HVRN 320 701 | 3/2-way indexed | G 1/4" | 1250 l/min | 1 - 10 bar | 20 N | 0,24 kg |
| HVN 511 701 | 5/2-way spring | G 1/4" | 1250 l/min | 1 - 10 bar | 20 N | 0,24 kg |
| HVRN 520 701 | 5/2-way indexed | G 1/4" | 1250 l/min | 1 - 10 bar | 20 N | 0,24 kg |



MHLL 510 701 ALU



Valves with manual reset function for monitored reactivation by maintenance staff. When the solenoid valve is de-energized it will move to its default position.

A regular solenoid valves will be switched on just by energizing the solenoid.

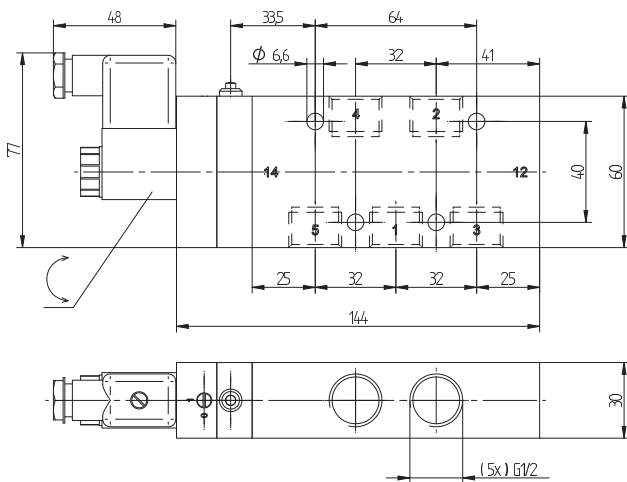
Unlike a valve with a manual reset function: In order to switch-on the valve the solenoid has to be actuated and initially a knob on the valve has to be pushed.

The requirement that an operator has to be physically present when an especially important or critical piece of equipment is activated is fulfilled by this product.

The manual reset system is available for our G 1/8", G 1/4" as well as G 1/2" valves.

On request:

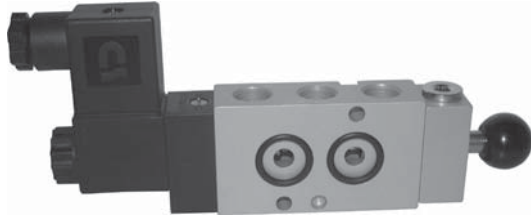
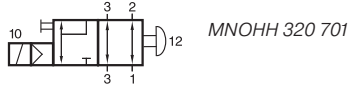
- *Stainless steel version*
- *ATEX-approved*
- *Pneumatically actuated valves*



MHLL 510 121

| Type | Port size | Air flow | Operating press. | Power consumption | Weight |
|------------------|-----------|------------|------------------|-------------------|---------|
| MHLL 510 701 ALU | G 1/4" | 1250 l/min | 2 - 10 bar | 3 W = / 5 VA ~ | 0,30 kg |
| MHLL 510 121 | G 1/2" | 3000 l/min | 1 - 10 bar | 3 W = / 5 VA ~ | 0,72 kg |

Valves with latch-lock function



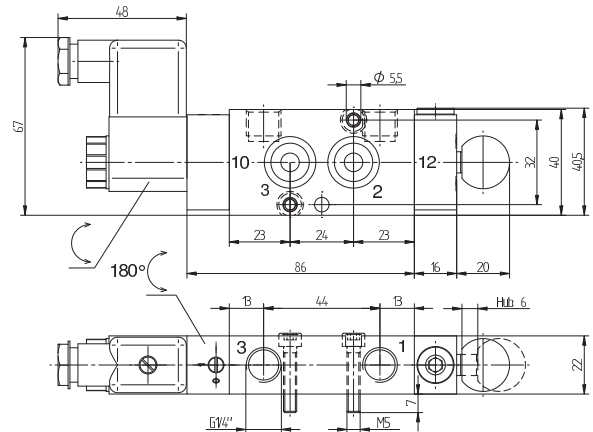
The MNOHH 320 701 is a 2-position valve, actuated from one side by solenoid, from the other side manually.

Interface according to 1/4" NAMUR- standard.

As long as there is no electric signal applied, the valve is open from 1 to 2 and port 3 can exhaust.

When an electric signal is applied to the solenoid, the valve moves to the closed position. The valve will stay in this position no matter if the electric signal cuts-off.

It can only be switched into the other position by manually pushing the knob.



MNOHH 320 701

Typical application:

Valve is mounted on a single acting actuator.

Another 3/2-way control valve is connected to port 1 of the MNOHH 320 701.

In normal operation, no electric signal is applied to the solenoid and the actuator can be opened and closed by the 3/2-way control valve. When there is an emergency, an electric signal is applied to the solenoid and the valve moves to the closed position. The air supply to the actuator is now cut-off and the actuator will close by the force of the spring.

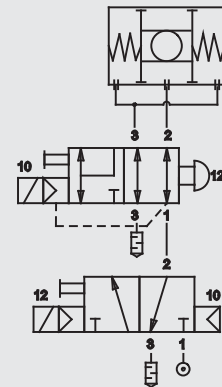
As a result the process valve stays in this position until maintenance personnel is present and resets the valve.

Function:

Actuator

MNOHH 320 701

3/2-way valve



On request:

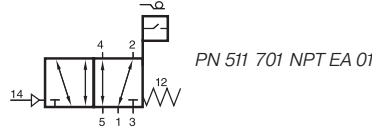
- Other functions
- ATEX-approved
- Stainless steel version

| Type | Port size | Air flow | Operating press. | Power consumption | Weight |
|---------------|-----------|------------|------------------|-------------------|---------|
| MNOHH 320 701 | G 1/4" | 1250 l/min | 2 - 10 bar | 3 W = / 5 VA ~ | 0,30 kg |

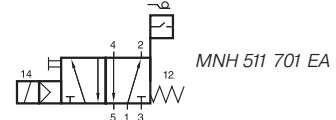
Valves with position feedback function



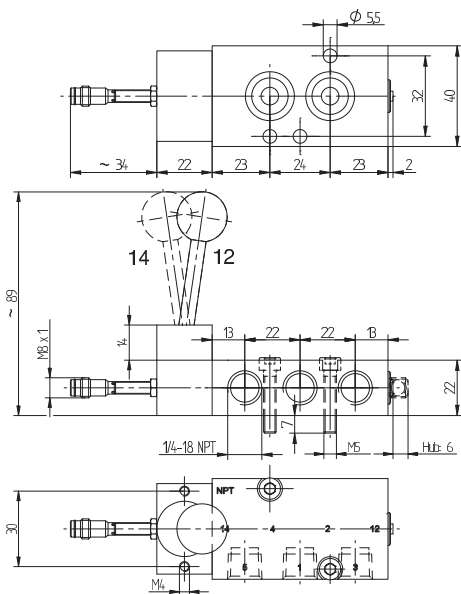
HVRN 520 701 L NPT EA 01



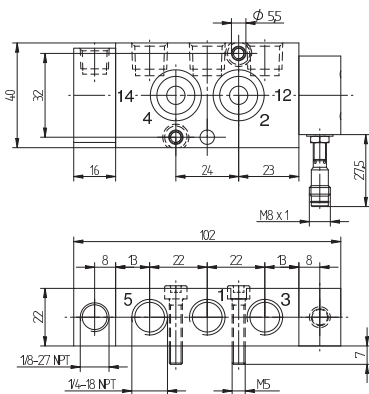
PN 511 701 NPT EA 01



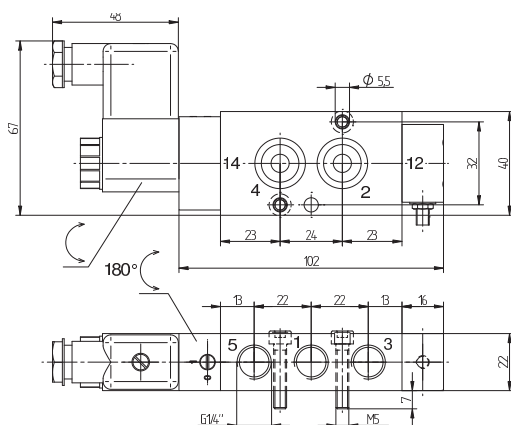
MNH 511 701 EA



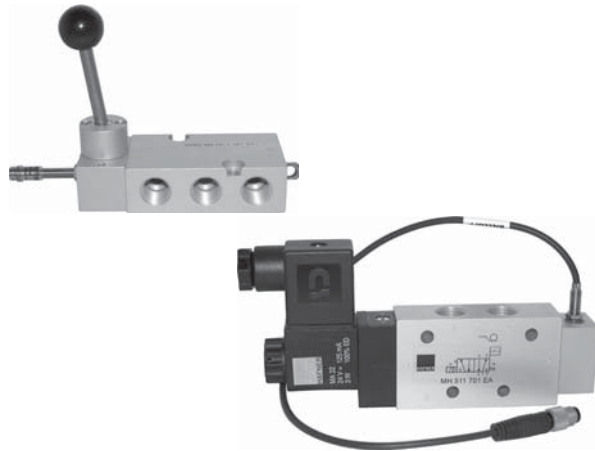
HVRN 520 701 L NPT EA 01



PN 511 701 NPT EA 01



MNH 511 701 EA



The Machinery Directive DIN EN ISO 13849 is challenging machine manufacturers. The security level of control system has to be assessed, redundant systems or components with feedback-functions have to be installed.

Solution from Hafner:

Valves with position feedback function. The sensors give a signal assuring that the valve has fully switched through.

HVRN 520 701 L NPT EA 01:

Lever actuated 5/2-way spool valve, indexed. Interface according to 1/4" NAMUR-standard. Additionally the user can put a padlock in the drilling of the extended spool and thereby lock the valve. Equipped with an inductive sensor from Contrinex according to NAMUR (DIN 19234).

PN 511 701 NPT EA 01:

Pneumatically actuated 5/2-way spool valve. Interface according to 1/4" NAMUR-standard. Equipped with an inductive sensor from Contrinex according to NAMUR (DIN 19234).

MNH 511 701 EA:

5/2-way solenoid valve, actuated by permanent signal. Interface according to 1/4" NAMUR-standard. Equipped with an inductive sensor from Balluff with 0.30 m cable.

Other valves and sensors available on request.

| Type | Port size | Air flow | Operating press. | Actuation press. | Power consumption | Weight |
|--------------------------|-----------|------------|------------------|------------------|-------------------|---------|
| HVRN 520 701 L NPT EA 01 | 1/4" NPT | 1250 l/min | 1 - 10 bar | - | - | 0,24 kg |
| PN 511 701 NPT EA 01 | 1/4" NPT | 1250 l/min | 1 - 10 bar | 3 - 6 bar | - | 0,19 kg |
| MNH 511 701 EA | G 1/4" | 1250 l/min | 2 - 10 bar | - | 3 W = / 5 VA ~ | 0,25 kg |

Valves for high temperature applications

Hafner is offering selected products to be used in **high temperature environment**.

All valves of the series 500 (G 1/8") as well as 700 (G 1/4") can be delivered like that. Other sizes available on request.

Temperature range solenoid valves (DC-coils only):
-10°C to +80° (100% ED)

The solenoid valves are available with coils 24V=.

For a better heat resistance, we equip the valves with the Epoxy coil (MA 22 D).



Sample Product: MNH 310 701 HT
3/2-way solenoid valve, interface according to 1/4" NAMUR-standard.
Equipped with aluminum pilot-head, aluminum fixing nut and Epoxy coil.
Inner seals are made from FKM.

Temperature range manually, mechanically and pneumatically actuated valves: **-10°C to +120°C**.



Sample Product: P 310 701 VIT
Pneumatically actuated 3/2-way valve with FKM seals.



Sample Product: HVR 520 701 L
Lever actuated 5/2-way spool valve, indexed, with FKM seals.
Added value: The user can put a padlock in the drilling of the extended spool and thereby lock the valve.



Sample Product: D 181 G
Block form flow regulator, bi-directional.
Port-size G 3/4", 6000 l/min air-flow.

*Other products can be made available for high temperature applications as well.
Please send us your inquiry!*