

FRL-units

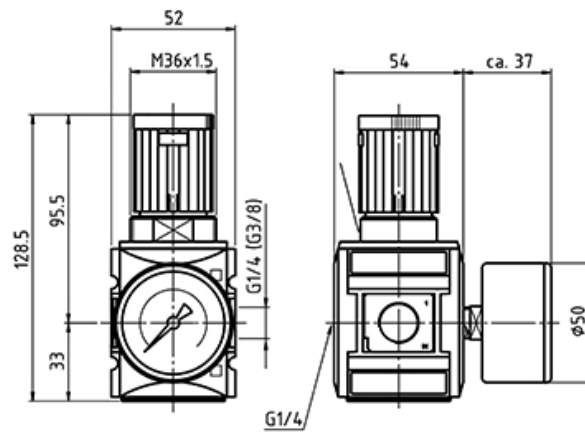
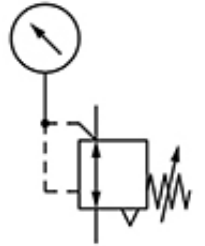
Futura line | FS

Pressure-regulators

KREG-114/8 G

Regulator | 8 bar | Futura line

HAFNER



Specifications

Connection	G 1/4"
Air-flow	2200 l/min

Operating pressure	0...16 bar
Operating pressure outlet	0,5...8 bar
Unit size	FS-1
www.hafner-pneumatika.com	