

Valves

Solenoid Valves

5/2-way valves

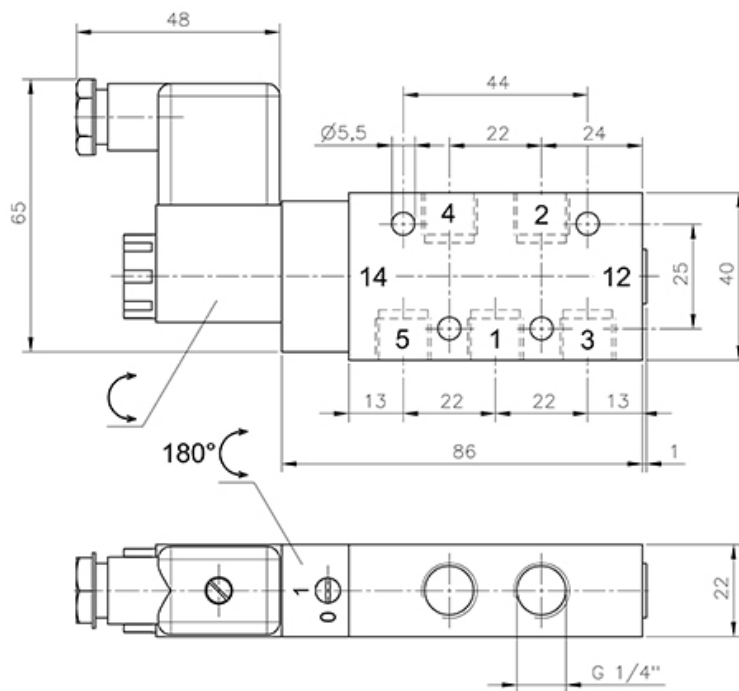
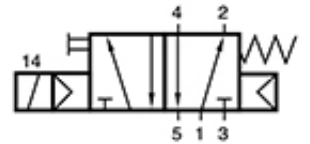
In-line valves

MH | in-line valves

MH 511 701

Solenoid valve | monostable | combined spring return | with manual override

HAFNER



Specifications

Port size	G 1/4"
Air flow	1250 l/min
Operating pressure	2,5... 10 bar
Funktion	Single solenoid
Power consumption	3 W / 5 VA

www.hafner-pneumatika.com