

Valves

Solenoid Valves

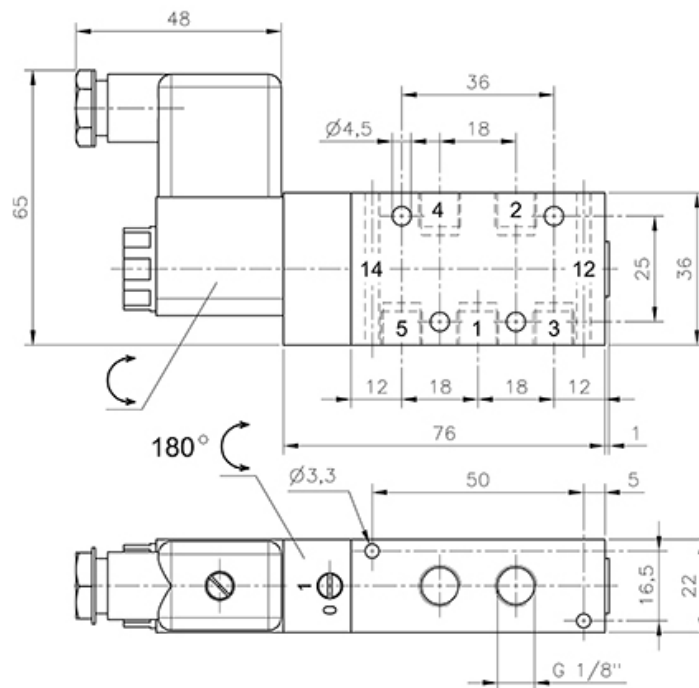
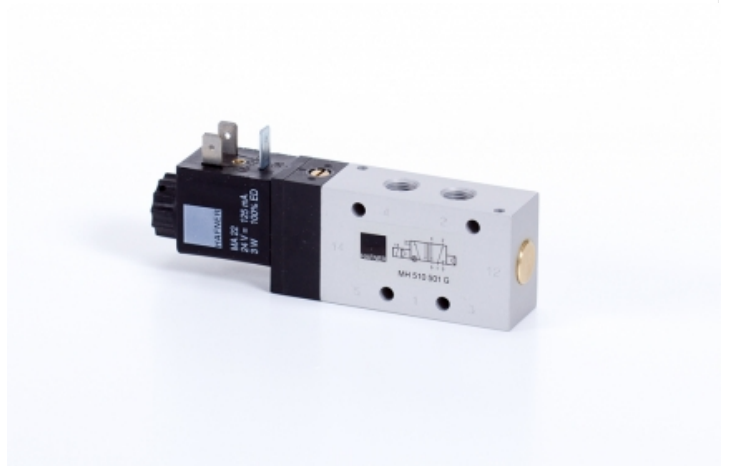
5/2-way valves

G-series | In-line valves / valves for manifolds

MH 510 501 G

Solenoid valve | monostable | air spring return | with manual override | G-series

HAFNER



Specifications

Port size	G 1/8"
Air flow	650 l/min
Operating pressure	2...10 bar
Funktion	Single solenoid
Power consumption	3 W / 5 VA

www.hafner-pneumatika.com