

# Valves

## Solenoid Valves

### 5/3-way valves

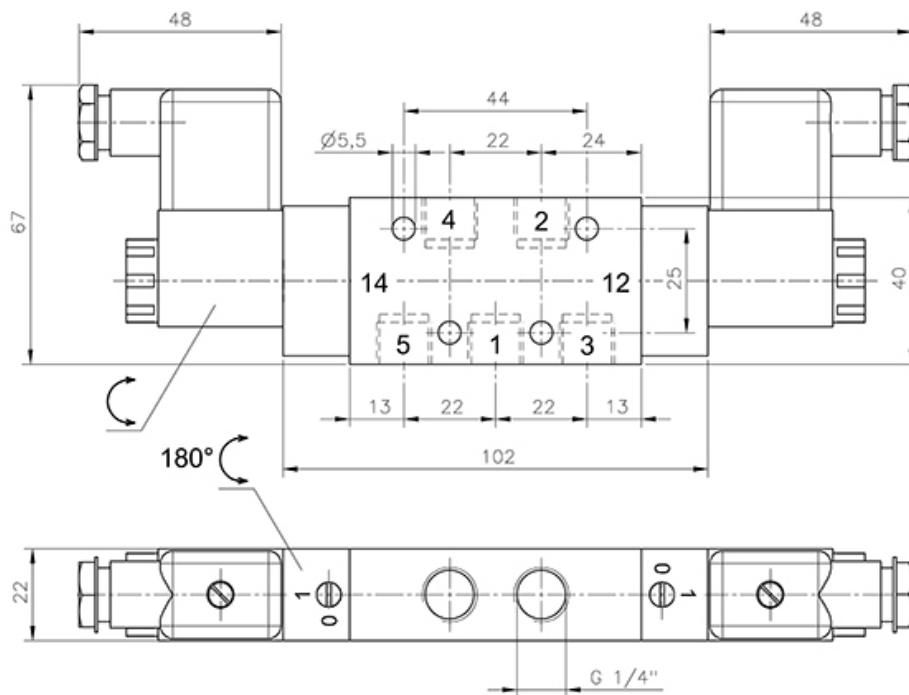
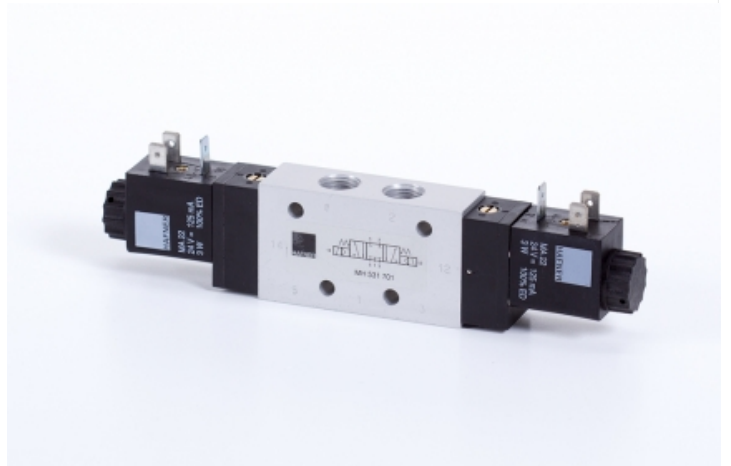
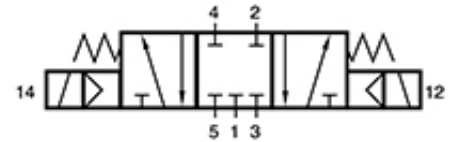
#### In-line valves

#### MH | In-line valves

#### MH 531 701

Solenoid valve | spring return to middle position | with manual override | centre closed

HAFNER



**Specifications**

Port size	G 1/4"
Air flow	1250 l/min
Operating pressure	3...10 bar
Funktion	5/3-way   centre closed
Power consumption	3 W / 5 VA

[www.hafner-pneumatika.com](http://www.hafner-pneumatika.com)