

FRL-units

Futura line | FS

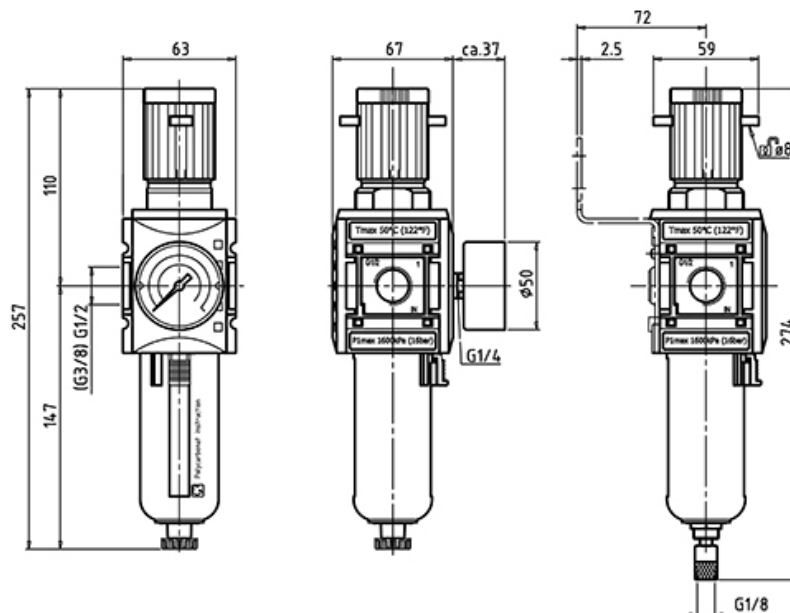
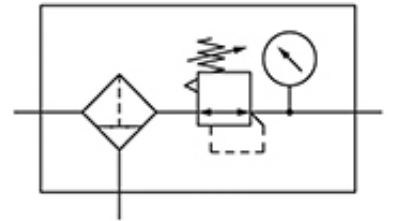
Filter-regulators

semiautomatic drain

KFRG-212/8 G HA

Filter-regulator | semiautomatic drain | 8 bar + 5 micron | Futura line

HAFNER



Specifications

Connection	G 1/2"
Air-flow	4500 l/min
Operating pressure	1,5...16 bar
Operating pressure outlet	0,5...8 bar
Filter fineness	5 micron
Unit size	FS-2

www.hafner-pneumatika.com